

Cambridgeport Curb Adapters - Installation Instructions

SAFETY FIRST!

LICENSED PROFESSIONALS MUST SHUT OFF AND DISCONNECT ALL GAS AND ELECTRICAL CONNECTIONS TO THE EXISTING ROOFTOP UNIT.

The installing contractor must verify that the existing roof curb is factory original and it and the roof structure are capable of supporting the Cambridgeport curb adapter and new HVAC unit. Field reinforcement may be required.

1. Before removing the existing units, verify that the supply and return duct drops in the existing curb are not fastened to the existing unit. The existing ducts should be supported within the existing curb, not the curb adapter.
2. After removing the existing unit, clean the top flange of the existing curb of old gasket or any other type of sealant that may have been applied.
3. Apply new caulking material (supplied by others) to the top of the existing curb. See Figure 1.
4. Set the Cambridgeport curb adapter down on top of the existing curb aligning the supply transition opening in the bottom of the curb adapter with the existing supply duct.
5. Secure the Cambridgeport curb adapter to the existing curb and caulk all areas where leaks may occur.
6. If a blank-off panel(s) is provided with the Cambridgeport curb adapter, it must be placed over the remainder of the existing curb and fastened in place with tek screws no more than 12" apart. Support channel on mid and end panels can support a maximum of 300#. See Figure 2 & 3. All seams must be caulked where leaks may occur. See Figure 3
7. If an equipment support is provided with the Cambridgeport curb adapter, it must be placed under the side of the adapter and roof deck. The equipment support must be shimmed to fit between the bottom of the curb adapter and roof deck. See Figure 4.
8. Apply gasket to the perimeter of the Cambridgeport curb adapter and cross supports. Carefully set the new unit in place.

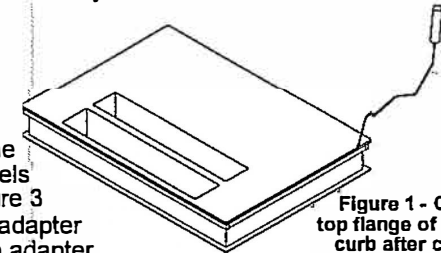


Figure 1 - Caulking top flange of existing curb after cleaning.

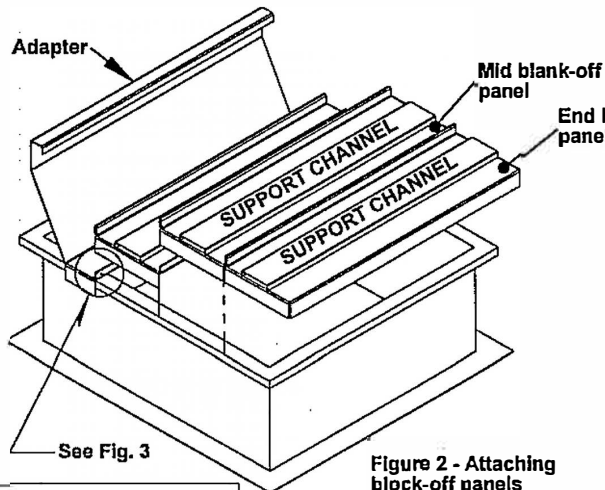


Figure 2 - Attaching block-off panels

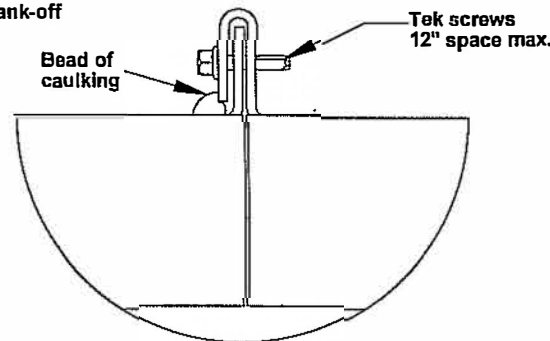


Figure 3 - Caulking detail

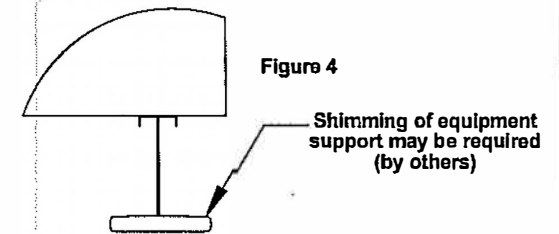


Figure 4

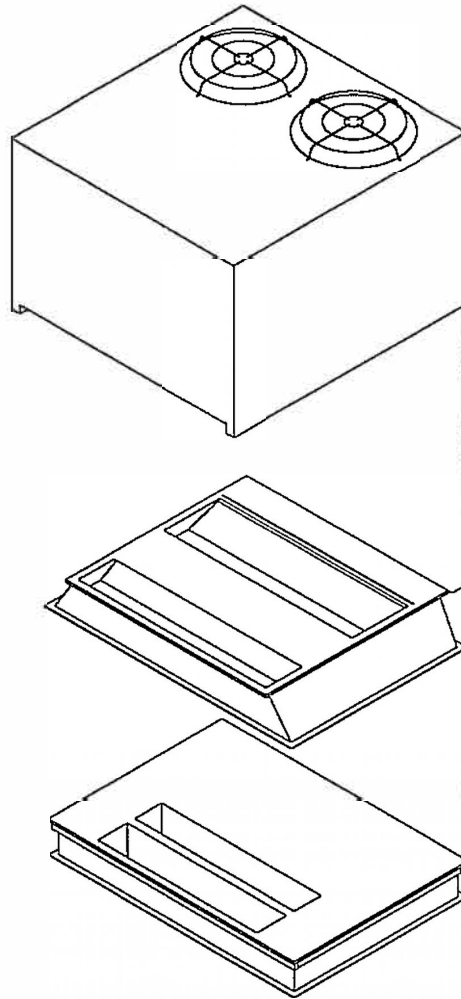
Shimming of equipment support may be required (by others)

Cambridgeport TM

1-800-648-2872/FAX 978-462-9189

Cambridgeport Curb Adapters Installation Instructions

1. Have a licensed professional disconnect utilities.
2. Verify duct locations.
3. Clean old gasket and/or sealant from top flange of existing curb and apply new caulking.
4. Set new adapter down in correct orientation.
5. Secure adapter.
6. Install blank-offs if provided and caulk possible leak points.
7. Install equipment support if provided.
8. Apply new gasket and set new unit.



QUICK-CHECK

DRAWING 1800021 PAGE 2
DATE:03-24-05 REV: 01

Cambridgeport TM

1-800-648-2872/FAX 978-462-9189