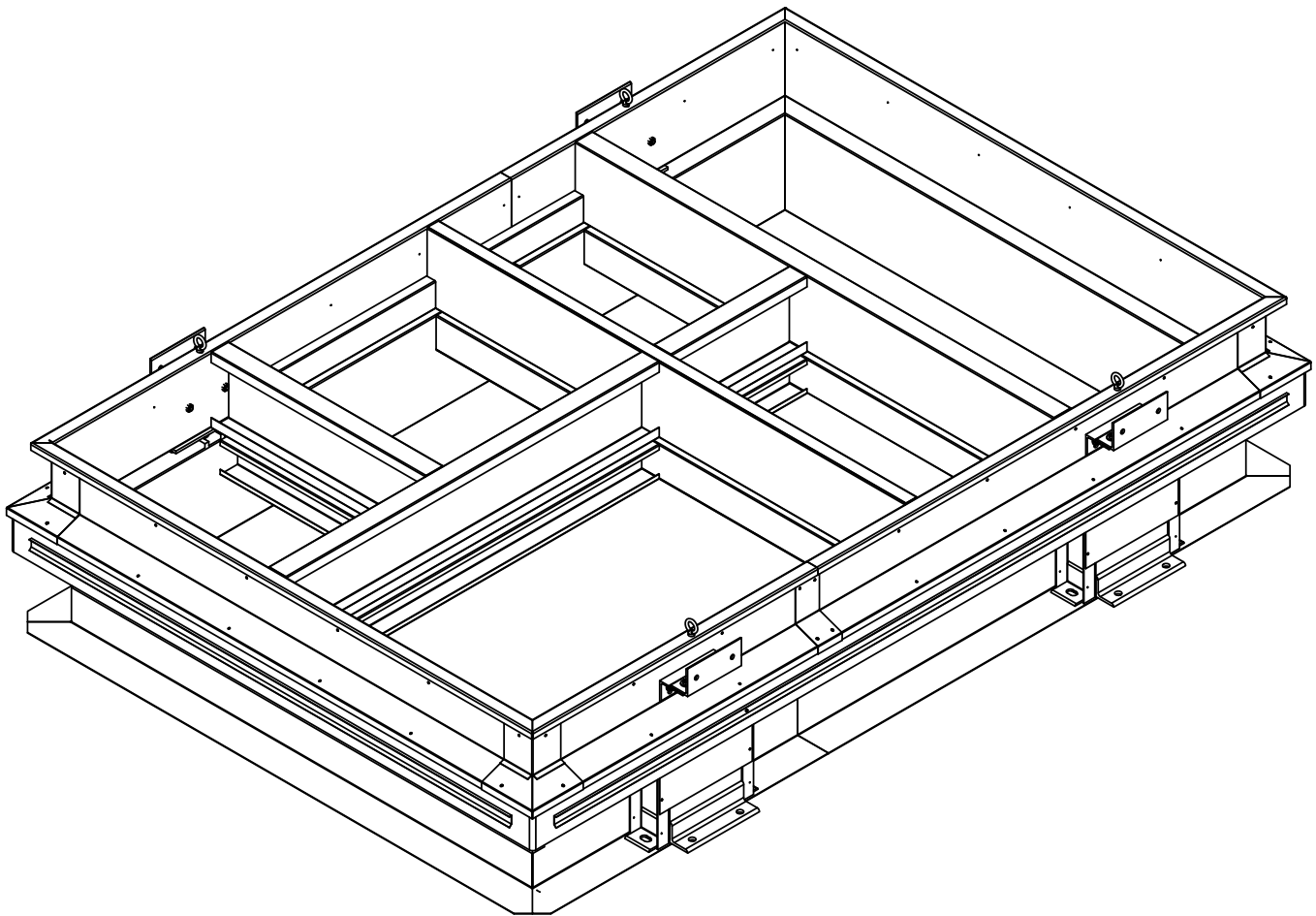

Cambridgeport

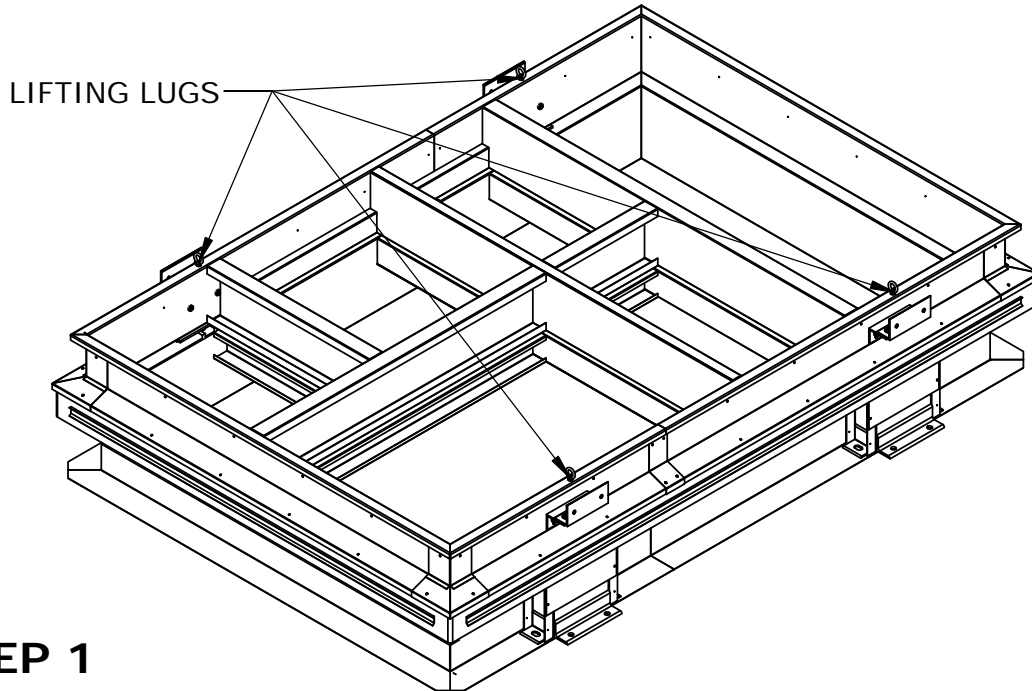
HVAC Accessories and Engineered Systems

INSTALLATION INSTRUCTIONS FOR ADJUSTABLE SPRING ISOLATION HEAVY DUTY CURB



READ COMPLETELY BEFORE INSTALLING!!!

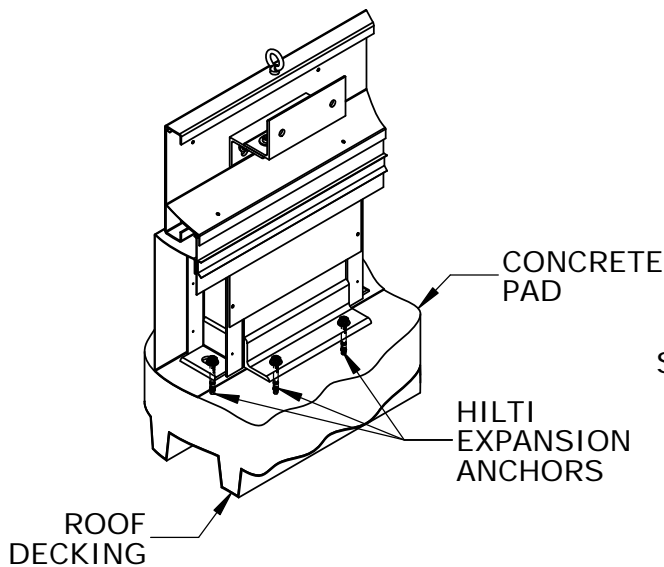
CAMBRIDGEPORT IS NOT RESPONSIBLE FOR IMPROPERLY INSTALLED EQUIPMENT



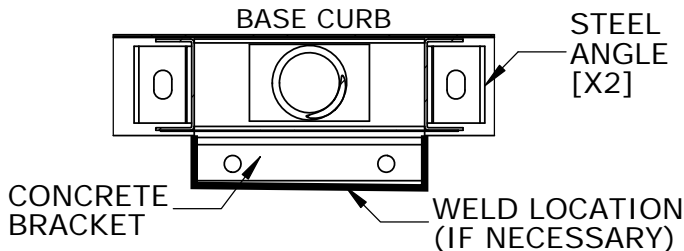
STEP 1

Lift isolation curb to roof using pre-existing lifting lugs. Verify location and orientation of curb as springs are determined based on unit corner weights.

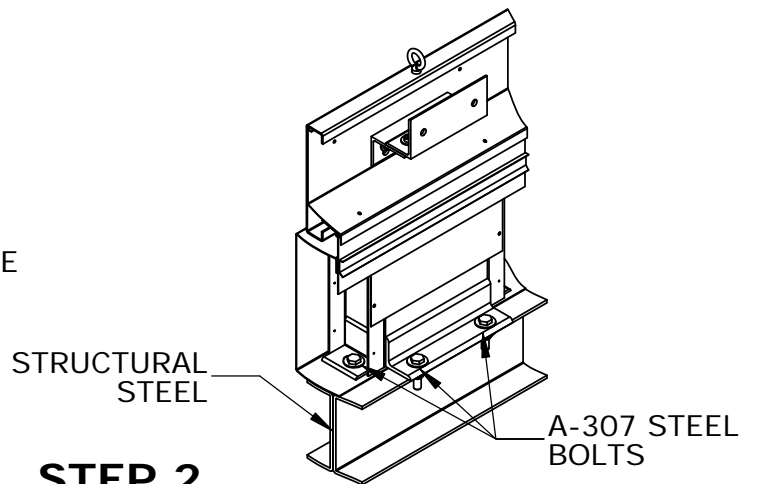
CONCRETE ATTACHMENT



**TOP VIEW
BASE CURB**



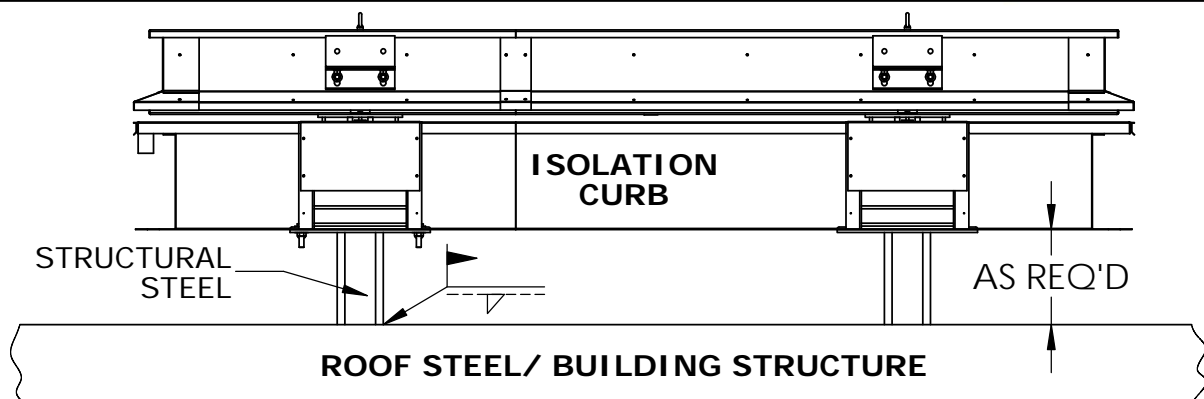
STEEL ATTACHMENT



STEP 2

Attach base curb to roof as specified in calculation package. Using Hilti Expansion Bolts, A-307 Steel Bolts, or Welds, attach curb to roof at each spring pocket using provided holes/slots. See attachment detail or calculation package for additional information.

Ensure Curb is level and add shims under spring pockets if required.

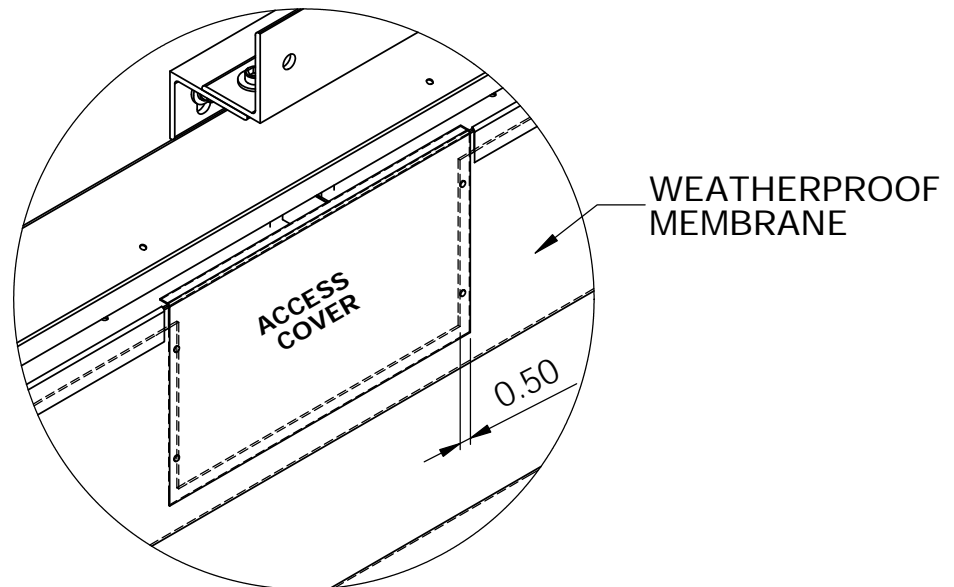


STEP 3

If site conditions require an increase to the installed height of the curb, wood blocking is not an acceptable method. Structural steel must be used to adequately transfer and resist any wind and/or seismically induced loads on the equipment. Please consult factory for additional details and requirements.

WARNING!!!!

IMPROPERLY INSTALLED EQUIPMENT MAY RESULT IN EQUIPMENT DAMAGE AND/OR PERSONAL INJURY. CAMBRIDGEPORT WILL ACCEPT NO RESPONSIBILITY FOR DAMAGES CAUSED BY IMPROPER INSTALLATION



STEP 4

The curb may be flashed in at this time following standard roofing procedures

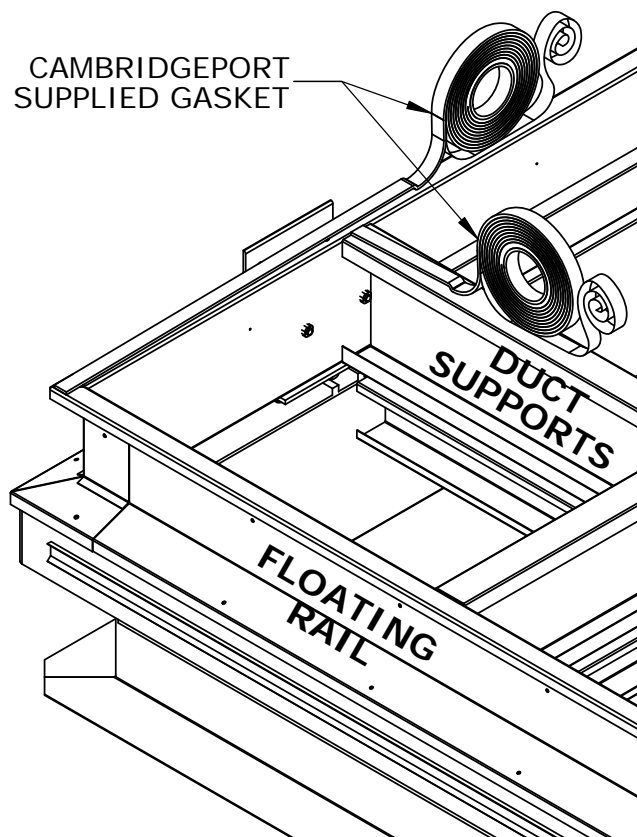
*** CAUTION ***

The spring access panel is removable and must remain as such. The waterproof roofing membrane must be trimmed to match contour of spring pocket as shown above to allow future access to springs for adjustment and/or replacement.

PAGE 2 OF 6

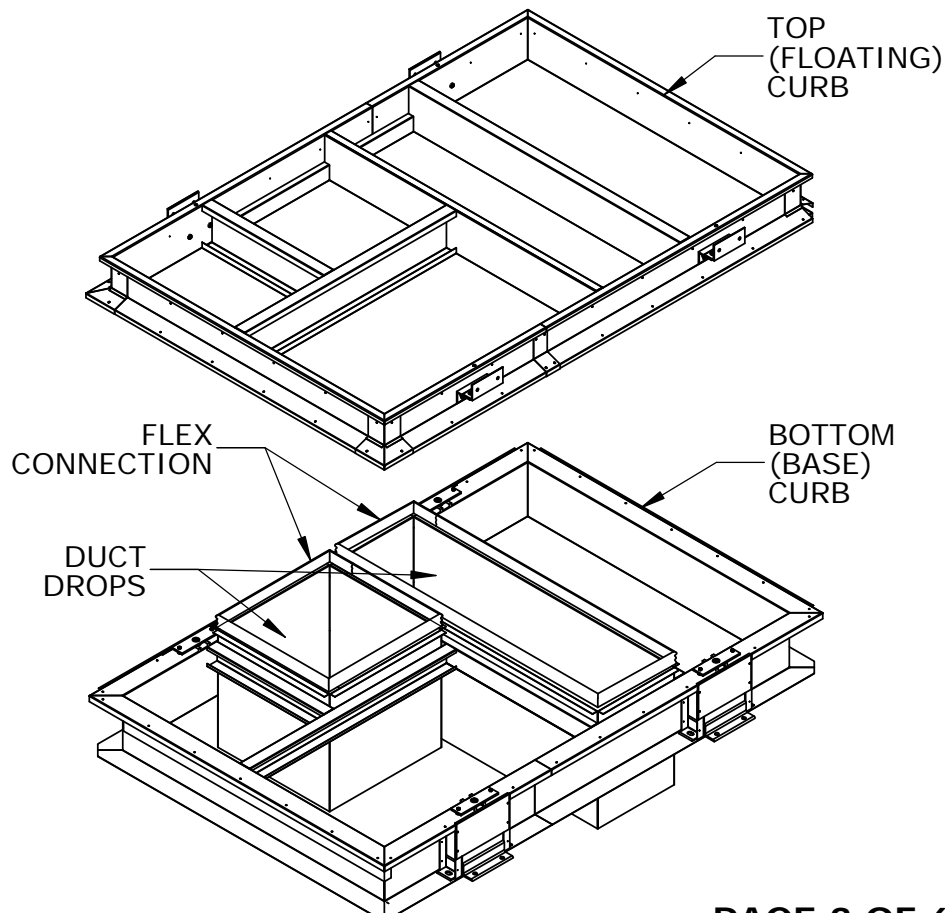
STEP 5

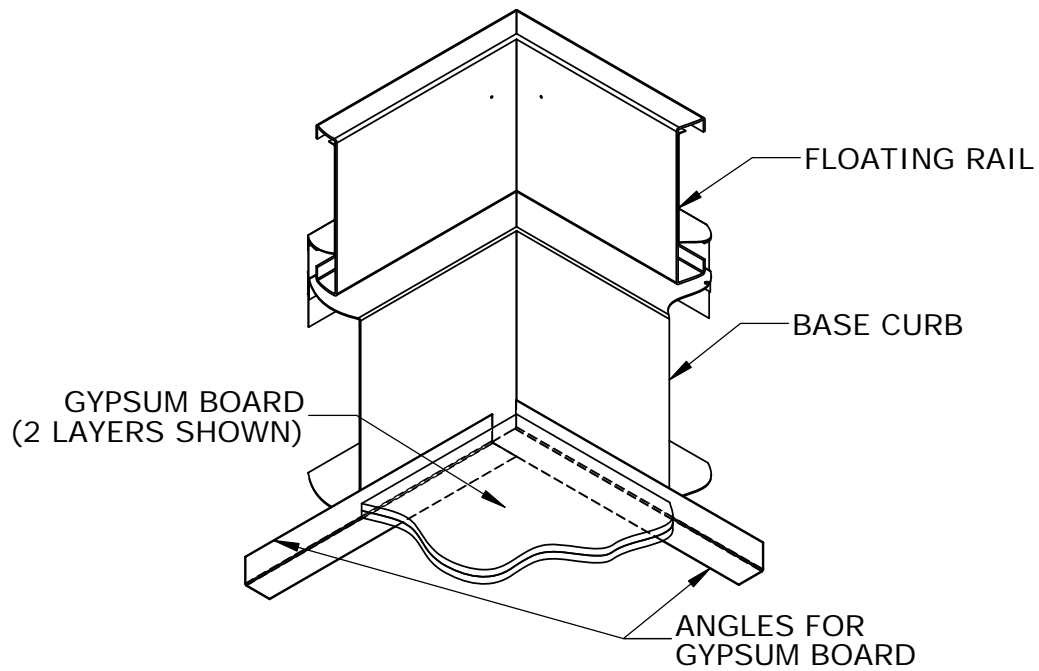
Remove lifting lugs located at each spring pocket. Apply Cambridgeport supplied gasket to top of floating rail around perimeter of curb as well as any supply and return duct supports on the interior.

**STEP 6**

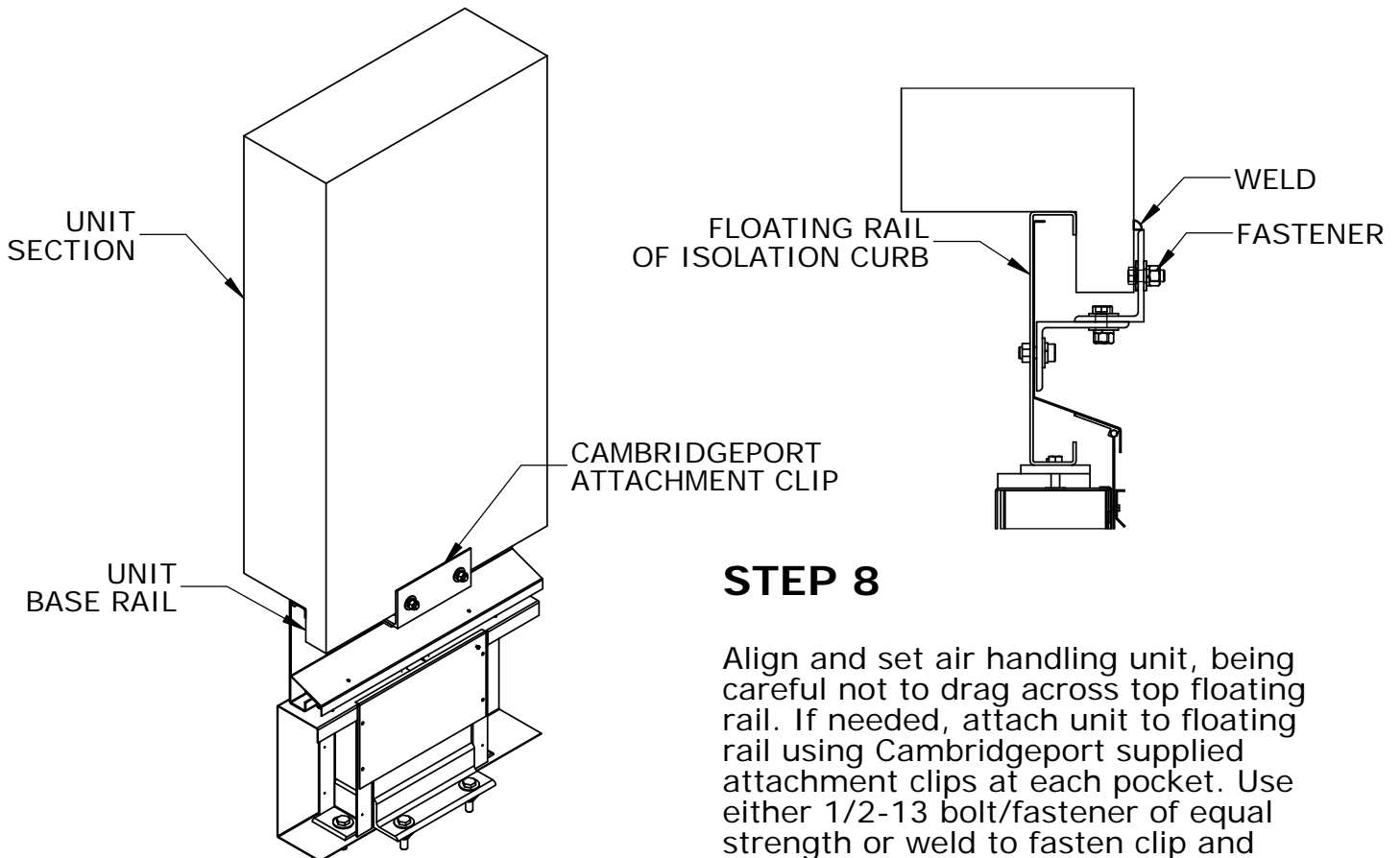
Unless specified in submittal package flex connection will be field supplied. Attach field supplied duct drops to supports located at top of base curb. Flex remaining area (approximately 1") between base curb and floating curb.

NOTE: Cambridgeport supplied flex connection pre-assembled at duct drop locations.



**STEP 7**

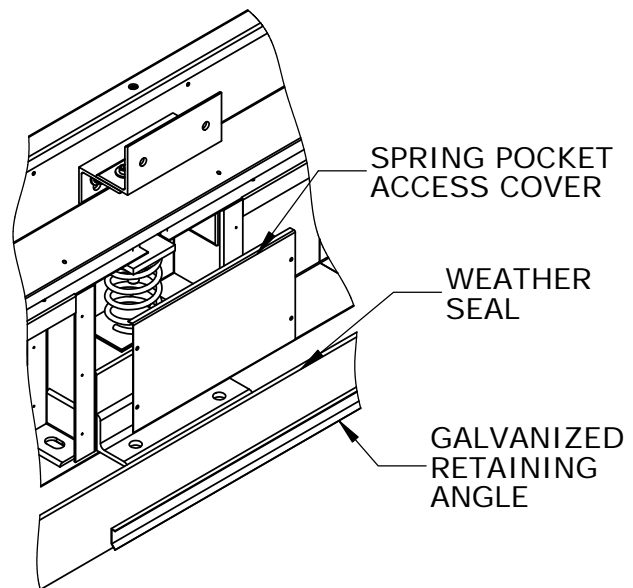
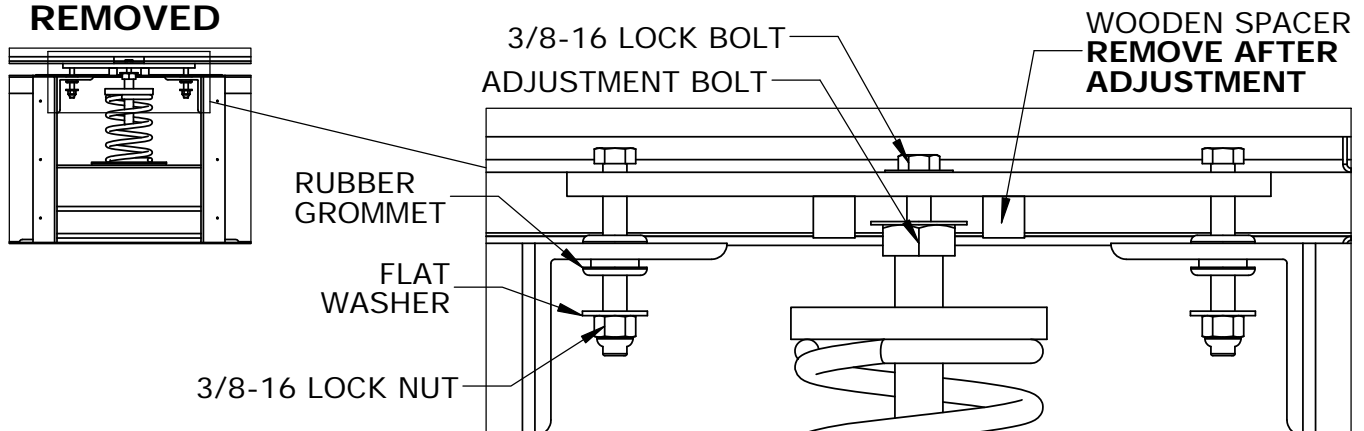
If required, install field supplied gypsum board in location specified on submittal. Place on Cambridgeport supplied angles on interior of isolation curb.

**STEP 8**

Align and set air handling unit, being careful not to drag across top floating rail. If needed, attach unit to floating rail using Cambridgeport supplied attachment clips at each pocket. Use either 1/2-13 bolt/fastener of equal strength or weld to fasten clip and unit.

STEP 9

i) Access springs by removing retaining angle, lifting weather seal, and removing spring pocket access cover.

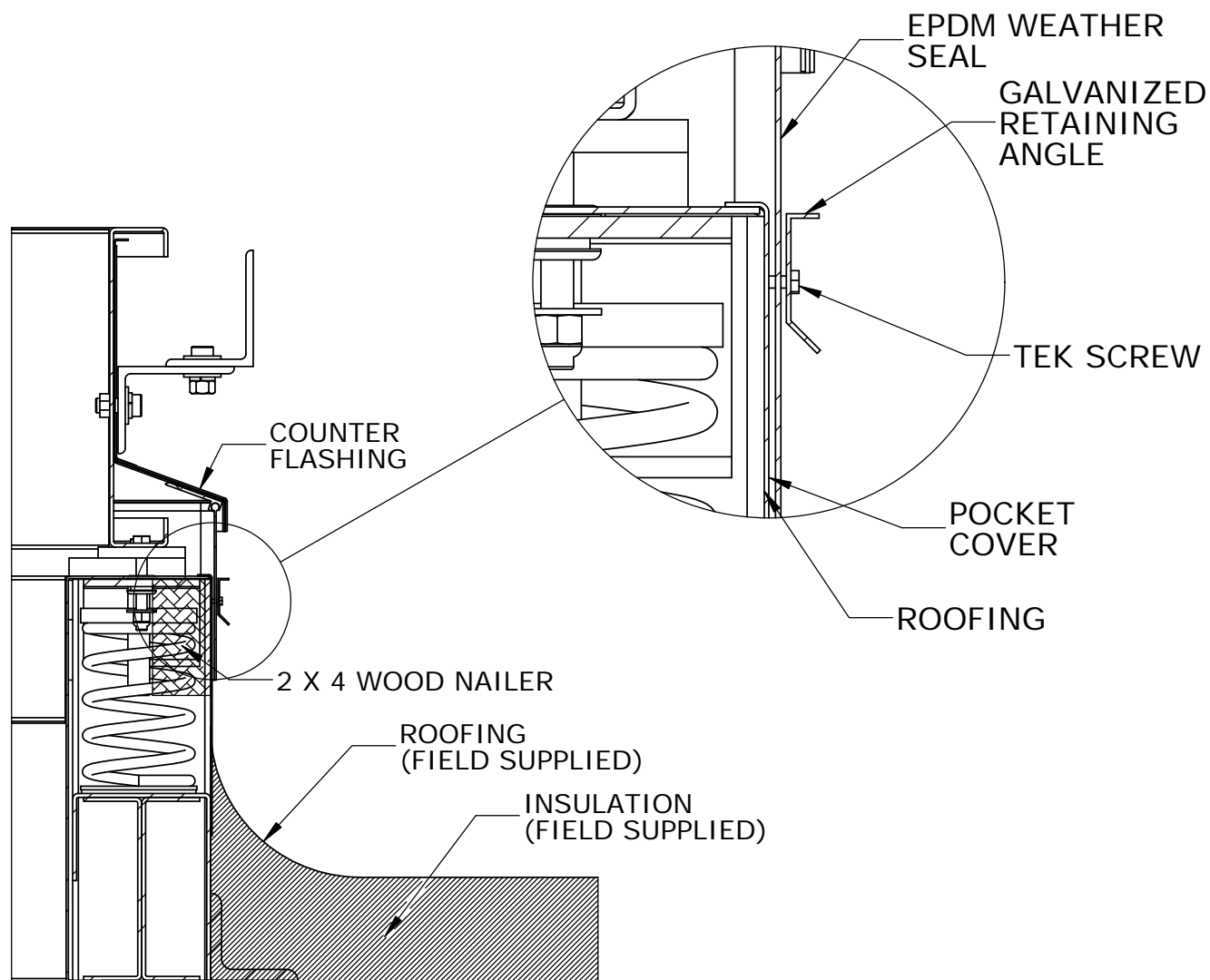
**SPRING POCKET ACCESS COVER REMOVED**

ii) Loosen two (2) 3/8-16" lock nuts located on either side of main spring until there is approximately 1/4"-3/8" space between flat washer and bottom of rubber grommet.

iii) Adjust springs by first loosening the 3/8-16" lock bolt located at top of the adjustment bolt, then turning adjustment bolt counter-clockwise several complete turns.

iv) Repeat at each spring pocket until wooden spacer is barely free. Remove spacer. It will be necessary to make several iterations of adjustment to ensure springs are loaded homogeneously.

v) Once final adjustments are complete, re-tighten 3/8-16" lock bolt to prevent unwanted movement of adjustment bolt.



STEP 10

- i) Confirm unit is now level to within the manufacturer's specifications.
- ii) Reattach pocket cover to proper location. Flip down EPDM weather seal to close off opening. Attach galvanized retaining angle to weather seal via tek screws through the wooden nailer.