

DATE: _____
 COMPANY: _____
 JOB NAME: _____
 SUBMITTED BY: _____
 NOTES: _____

**SURE-LOCK ROOF CURB
 SUBMITTAL EMS #100007**

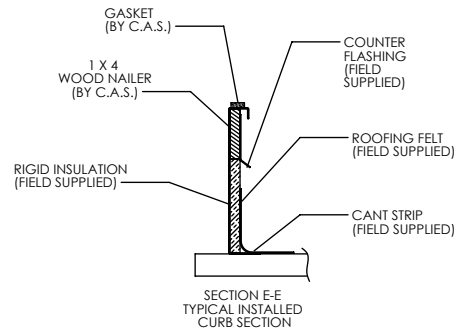
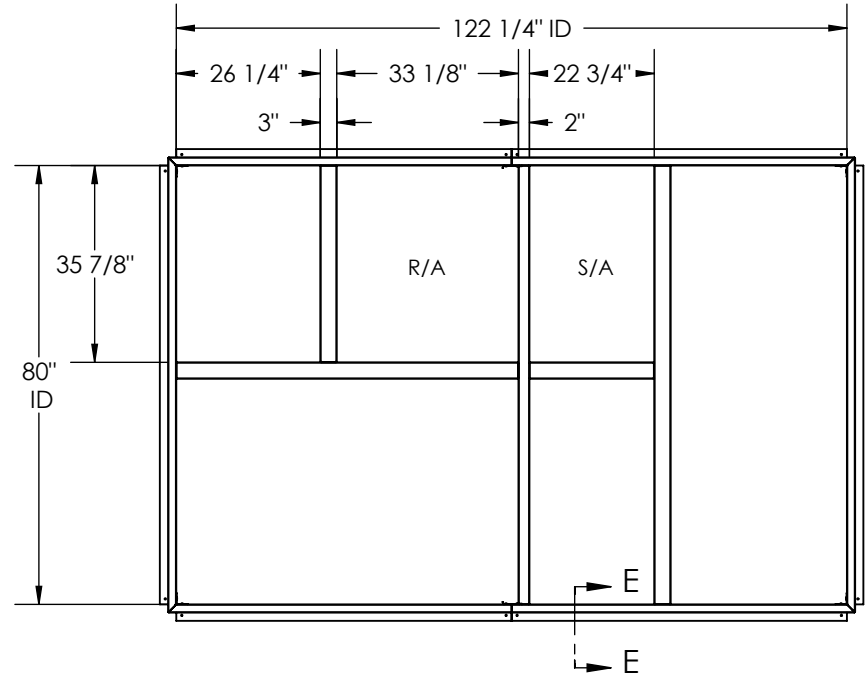
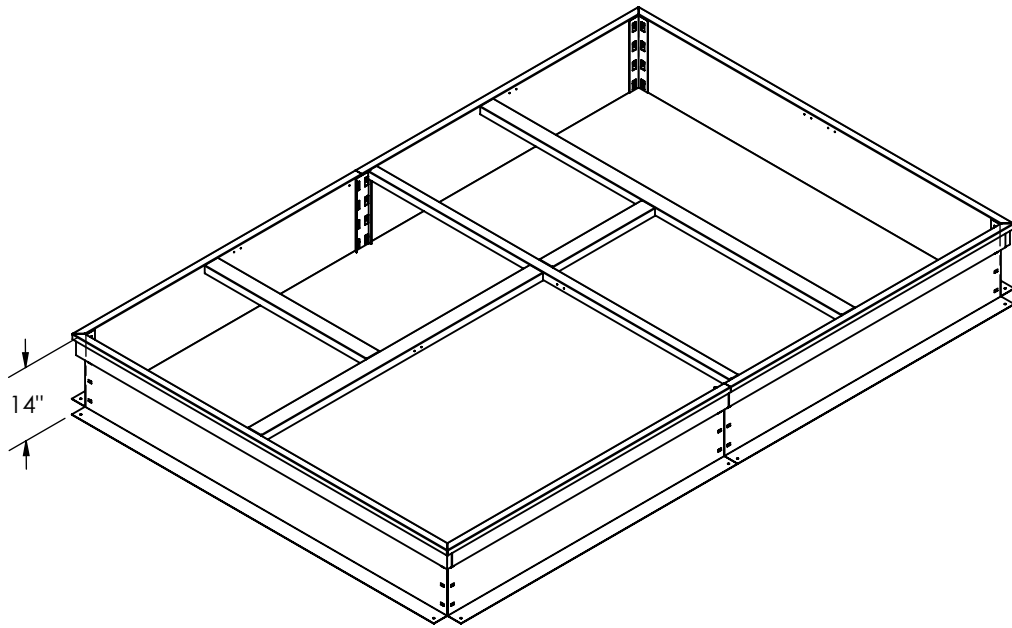
YORK 1RC0-437

CURB NUMBER
 100007

Drawn By: RTO
 Drawn Date: 02/15/07

REV:

ESTIMATED WEIGHT: 209 LBS.



FEATURES:

MITERED TOP CORNERS

ROOF CURB BODY IS FABRICATED OF HEAVY GAUGE GALVANIZED STEEL.

FULL PERIMETER WOOD NAILER.

PRE-PUNCHED ASSEMBLY HOLES AND HARDWARE INCLUDED FOR DUCT SUPPORT INSTALLATION, ROOF CURB IS SHIPPED KNOCKED DOWN.

ROOF CURB IS SEISMIC RATED AND CAN BE CERTIFIED UPON REQUEST.

TM

Cambridgeport
 AIR SYSTEMS, INC.
 SALISBURY, MA 01952
 PHONE 1-800-648-2872 FAX 1978-462-9189