

# SUBMITTAL

DATE: \_\_\_\_\_  
 PROJECT: \_\_\_\_\_  
 EQUIPMENT: \_\_\_\_\_  
 SUBMITTED BY: \_\_\_\_\_  
 NOTES: \_\_\_\_\_

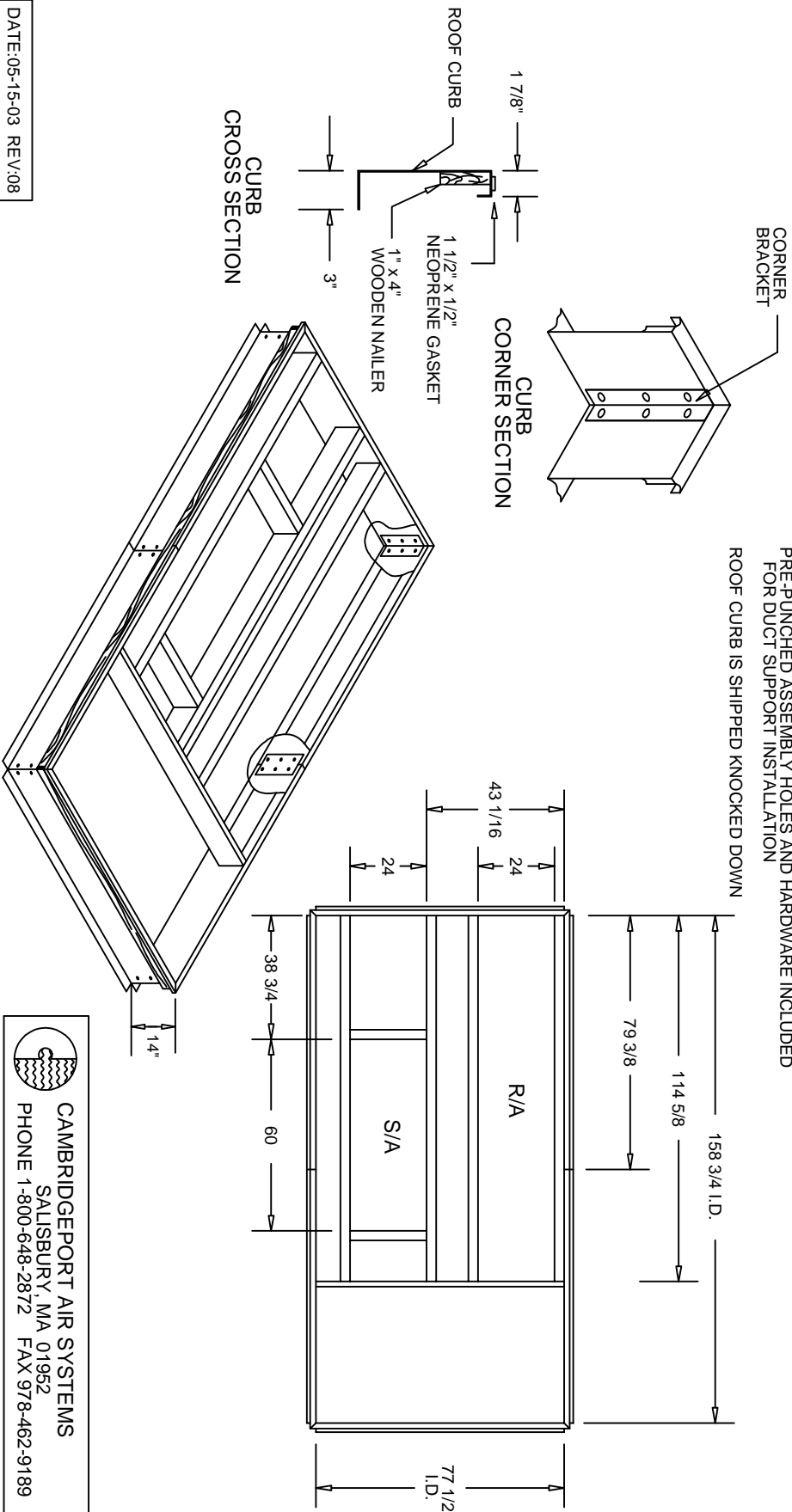
# ROOF CURB

## FEATURES:

- MITERED TOP CORNERS
- ROOF CURB BODY IS FABRICATED OF HEAVY GAUGE GALVANIZED STEEL
- FULL PERIMETER WOOD NAILER
- PRE-PUNCHED ASSEMBLY HOLES AND HARDWARE INCLUDED FOR DUCT SUPPORT INSTALLATION
- ROOF CURB IS SHIPPED KNOCKED DOWN

CARRIER UNITS  
 48/50 EJ,EK,EW,EY 024-034  
 48/50 AJ,AK,AW,AY 020-030  
 48 AJ,AK,035  
 THE 035 ONLY APPLIES TO UNIT MODELS ENDING IN 511, 611, 1111, 911, OR 913

PART NUMBER  
 CARRIER CAMBRIDGEPORT  
 CRRFCURB005A00CP 1000009



DATE:05-15-03 REV:08



CAMBRIDGEPORT AIR SYSTEMS  
 SALISBURY, MA 01952  
 PHONE 1-800-648-2872 FAX 978-462-9189