

SUBMITTAL

DATE: _____
 PROJECT: _____
 EQUIPMENT: _____
 SUBMITTED BY: _____
 NOTES: _____

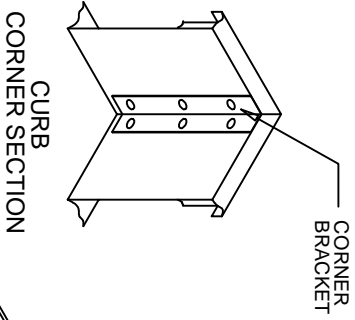
ROOF CURB

FEATURES:

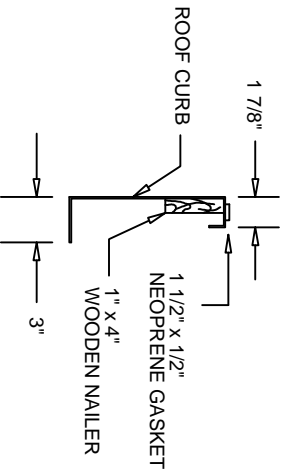
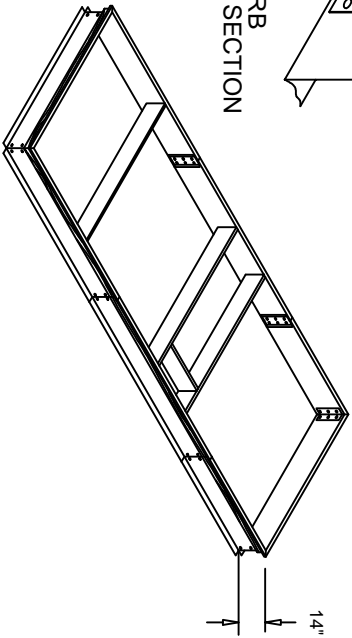
- MITERED TOP CORNERS
- ROOF CURB BODY IS FABRICATED OF HEAVY GAUGE GALVANIZED STEEL
- FULL PERIMETER WOOD NAILER
- PRE-PUNCHED ASSEMBLY HOLES AND HARDWARE INCLUDED FOR DUCT SUPPORT INSTALLATION
- ROOF CURB IS SHIPPED KNOCKED DOWN

CARRIER UNITS
 50ZC, ZL, ZR
 STD LENGTH W/O DISCH PLENUM
 030, 035

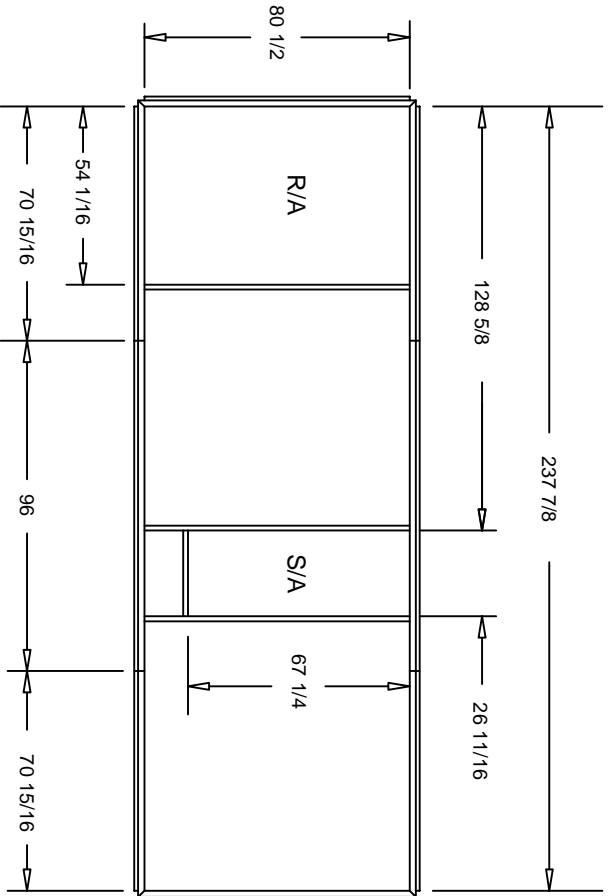
PART NUMBER
 CARRIER CAMBRIDGEPORT
 50DJ901-561CP 1000011



CURB CORNER SECTION



CURB CROSS SECTION



DATE:05-17-02 REV:08

CAMBRIDGEPORT AIR SYSTEMS
 SALISBURY, MA 01952
 PHONE 1-800-648-2872 FAX 978-462-9189