

# SUBMITTAL

DATE: \_\_\_\_\_  
 PROJECT: \_\_\_\_\_  
 EQUIPMENT: \_\_\_\_\_  
 SUBMITTED BY: \_\_\_\_\_  
 NOTES: \_\_\_\_\_

# ROOF CURB

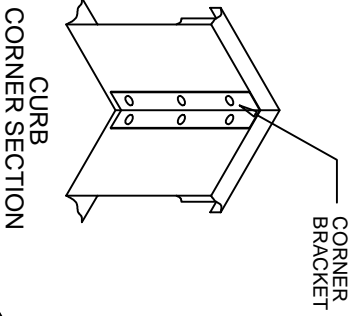
## FEATURES:

- MITERED TOP CORNERS
- ROOF CURB BODY IS FABRICATED OF HEAVY GAUGE GALVANIZED STEEL
- FULL PERIMETER WOOD NAILER
- PRE-PUNCHED ASSEMBLY HOLES AND HARDWARE INCLUDED FOR DUCT SUPPORT INSTALLATION
- ROOF CURB IS SHIPPED KNOCKED DOWN

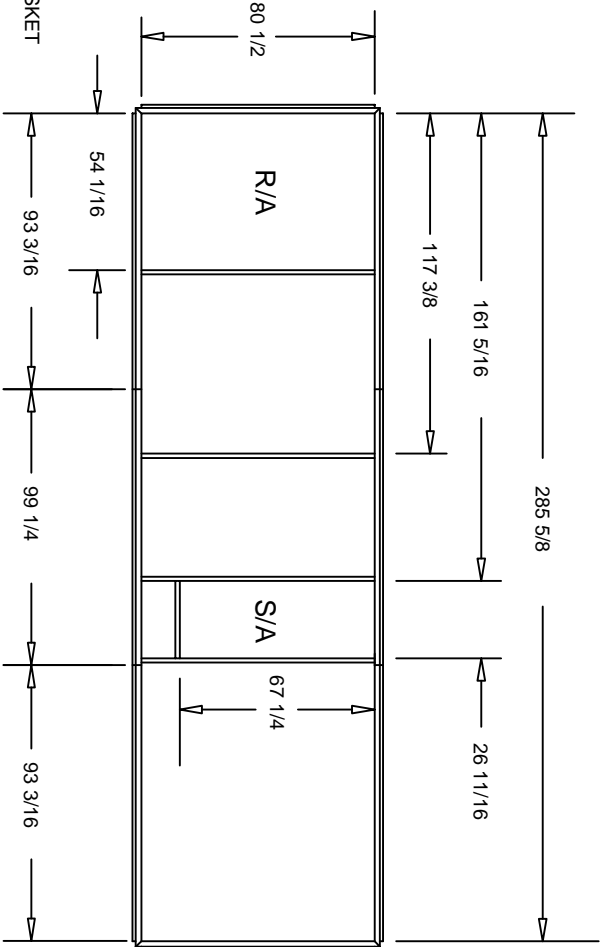
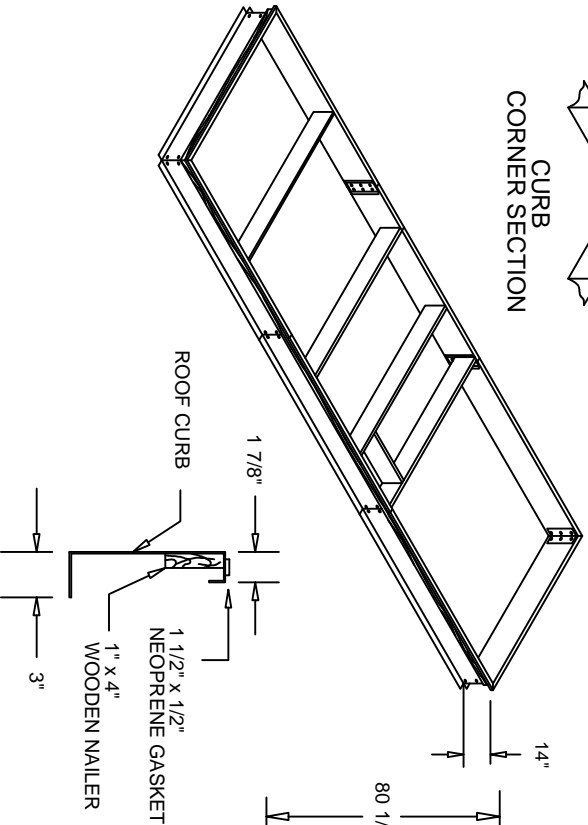
CARRIER UNITS  
 50ZC, ZL, ZR  
 STD LENGTH W/O DISCH PLENUM  
 040, 050

---

PART NUMBER  
 CARRIER CAMBRIDGEPORT  
 50DJ901-571CP 1000012



CURB CORNER SECTION



DATE:05-17-02 REV:09

CURB CROSS SECTION

CAMBRIDGEPORT AIR SYSTEMS  
 SALISBURY, MA 01952  
 PHONE 1-800-648-2872 FAX 978-462-9189