

SUBMITTAL

DATE: _____
 PROJECT: _____
 EQUIPMENT: _____
 SUBMITTED BY: _____
 NOTES: _____

ROOF CURB

FEATURES:

- MITERED TOP CORNERS
- ROOF CURB BODY IS FABRICATED OF HEAVY GAUGE GALVANIZED STEEL
- FULL PERIMETER WOOD NAILER
- PRE-PUNCHED ASSEMBLY HOLES AND HARDWARE INCLUDED FOR DUCT SUPPORT INSTALLATION
- ROOF CURB IS SHIPPED KNOCKED DOWN

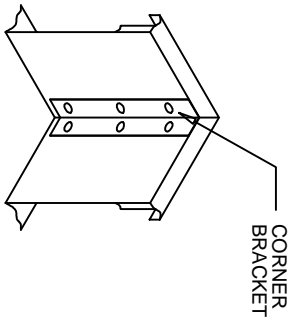
CARRIER UNITS

48ZC, ZL, ZR
 50ZD, ZM, ZS
 STD LENGTH
 040, 050

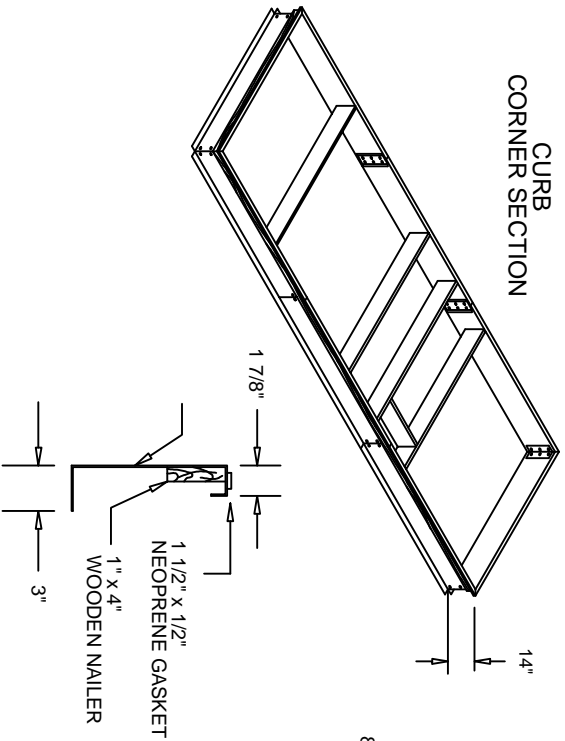
50ZC, ZL, ZR
 STD LENGTH WITH DISCH PLENUM
 040, 050

PART NUMBER

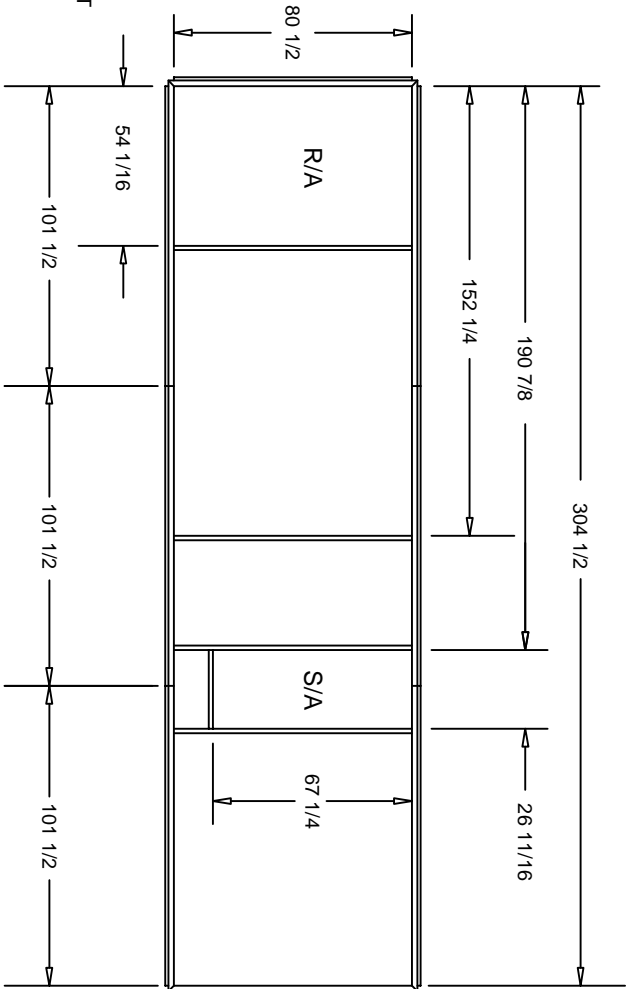
CARRIER CAMBRIDGEPORT
 50DJ901-591CP 1000014



CURB CORNER SECTION



CURB CROSS SECTION



DATE:05-17-02 REV:10

CAMBRIDGEPORT AIR SYSTEMS
 SALISBURY, MA 01952
 PHONE 1-800-648-2872 FAX 978-462-9189