

# SUBMITTAL

DATE: \_\_\_\_\_  
 PROJECT: \_\_\_\_\_  
 EQUIPMENT: \_\_\_\_\_  
 SUBMITTED BY: \_\_\_\_\_  
 NOTES: \_\_\_\_\_

# ROOF CURB

## FEATURES:

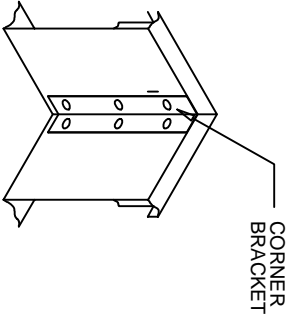
- MITTERED TOP CORNERS
- ROOF CURB BODY IS FABRICATED OF HEAVY GAUGE GALVANIZED STEEL
- FULL PERIMETER WOOD NAILER
- PRE-PUNCHED ASSEMBLY HOLES AND HARDWARE INCLUDED FOR DUCT SUPPORT INSTALLATION
- ROOF CURB IS SHIPPED KNOCKED DOWN

## CARRIER UNITS

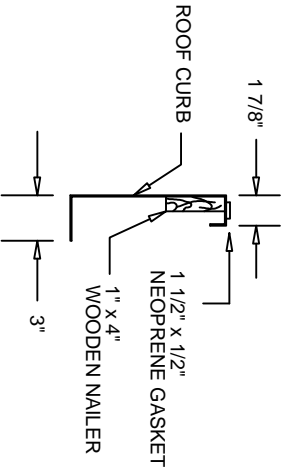
- 48 TJ 016 020
- 48 TJD, TJF 024, 028
- 50 TJ 016-028
- 48/50 HJ 015-025
- 48HJD, HJF 015-025
- 50HJQ 014, 016
- 48/50 TM 016-028

## PART NUMBER

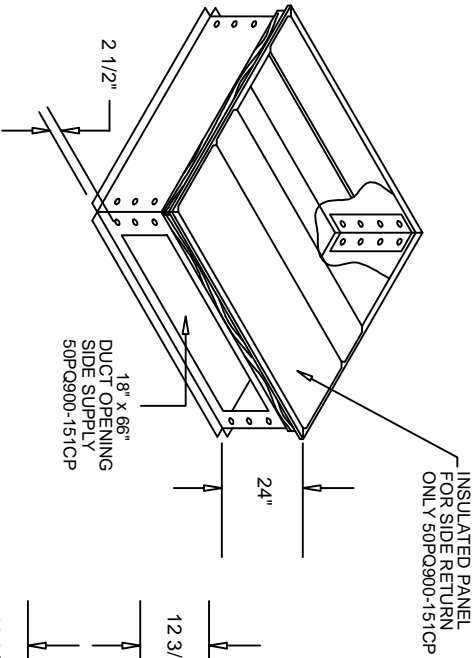
CARRIER CAMBRIDGEPORT  
 CRRFCURB012A00CP 1000035  
 (HORIZONTAL DISCHARGE)



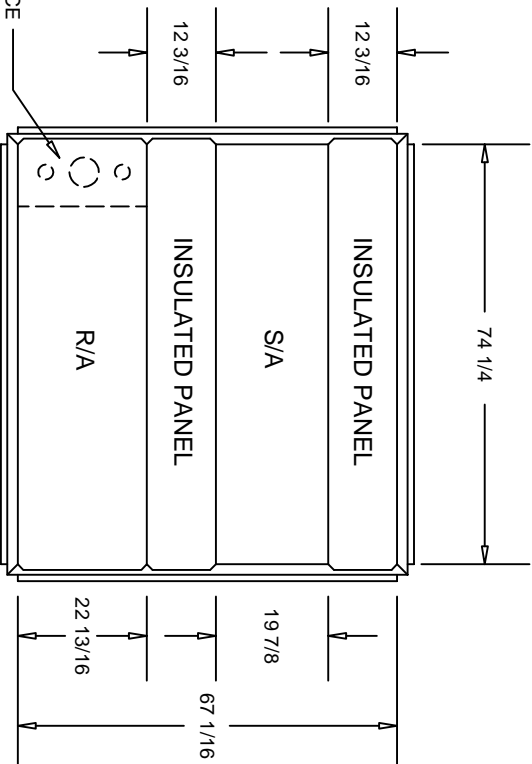
CORB  
 CORNER SECTION



CURB  
 CROSS SECTION



ELECTRICAL ENTRANCE SECTION  
 (KEEP THIS AREA CLEAR)



NOTE:  
 INTERNAL DUCT FOR SUPPLY AIR IS TO BE FIELD SUPPLIED BY THE CONTRACTOR.

DATE:05-06-03 REV:09

CAMBRIDGEPORT AIR SYSTEMS  
 SALISBURY, MA 01952  
 PHONE 1-800-648-2872 FAX 978-462-9189