

SUBMITTAL

DATE: _____
 PROJECT: _____
 EQUIPMENT: _____
 SUBMITTED BY: _____
 NOTES: _____

ROOF CURRB HORIZONTAL DISCHARGE

FEATURES:

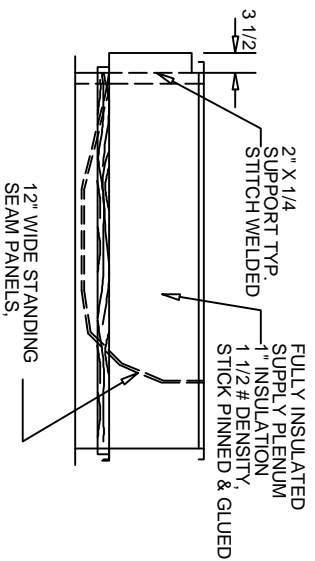
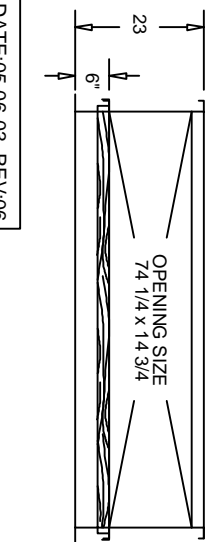
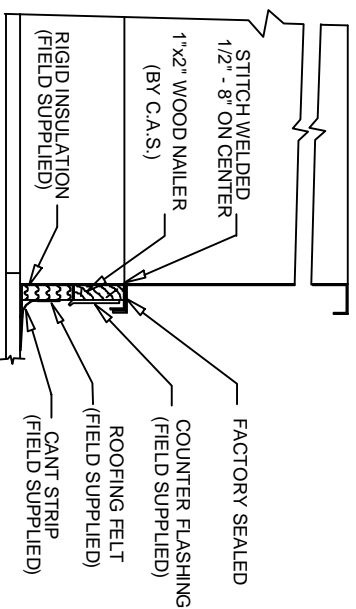
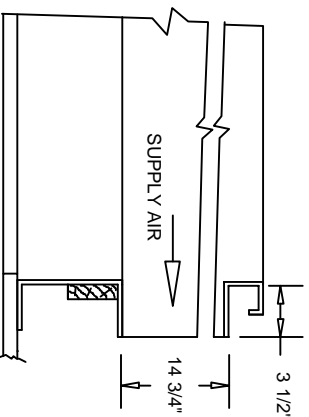
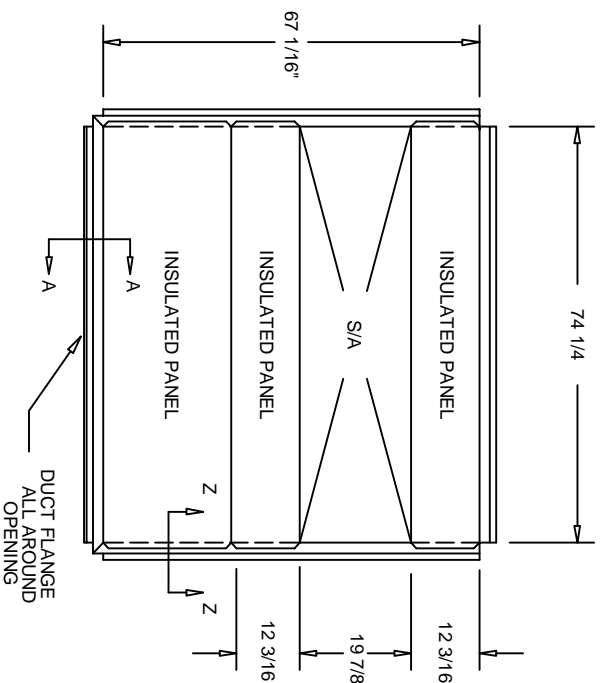
- MITERED TOP CORNERS
- ROOFCURB BODY IS FABRICATED OF HEAVY 16 GAUGE GALVANIZED STEEL
- 1" X 2" FULL PERIMETER WOOD NAILER
- ROOFCURB IS SHIPPED ASSEMBLED
- SEISMIC RATED

CARRIER UNITS

- 48 TJ016,020
- 48 TJD,TJF 024,028
- 50 TJ 016-028
- 48/50 HJ 015-025
- 48HJD,HJF 015-025
- 50HJQ 014,016
- 48/50 TM 016-028

PART NUMBER

- CARRIER CAMBRIDGEPORT
- CRRFCURB013A00CP 1000100



NOTE:
 INSULATED HIGH STATIC REGAIN
 TRANSITION DUCT IMPROVES FAN
 STATIC PERFORMANCE.

DATE:05-06-03 REV:06

CAMBRIDGEPORT AIR SYSTEMS
 SALISBURY, MA 01952
 PHONE 1-800-648-2872 FAX 978-462-9189