

© 2007 COX ENGINEERING DBA CAMBRIDGEPORT AIR SYSTEMS.  
 THE INFORMATION CONTAINED IN THIS DOCUMENT IS PROPRIETARY TO  
 COX ENGINEERING COMPANY DBA CAMBRIDGEPORT AIR SYSTEMS.  
 THIS DOCUMENT OR THE INFORMATION CONTAINED IN WHOLE OR IN PART  
 MAY NOT BE ISSUED TO ANOTHER PARTY WITHOUT WRITTEN CONSENT AND  
 AUTHORIZATION FROM CAMBRIDGEPORT.

**Approval Block**

Date: \_\_\_\_\_  
 Company: \_\_\_\_\_  
 Job Name: \_\_\_\_\_  
 Approved By: \_\_\_\_\_  
 Notes: \_\_\_\_\_

# BURGLAR BARS SUBMITTAL # 1000129

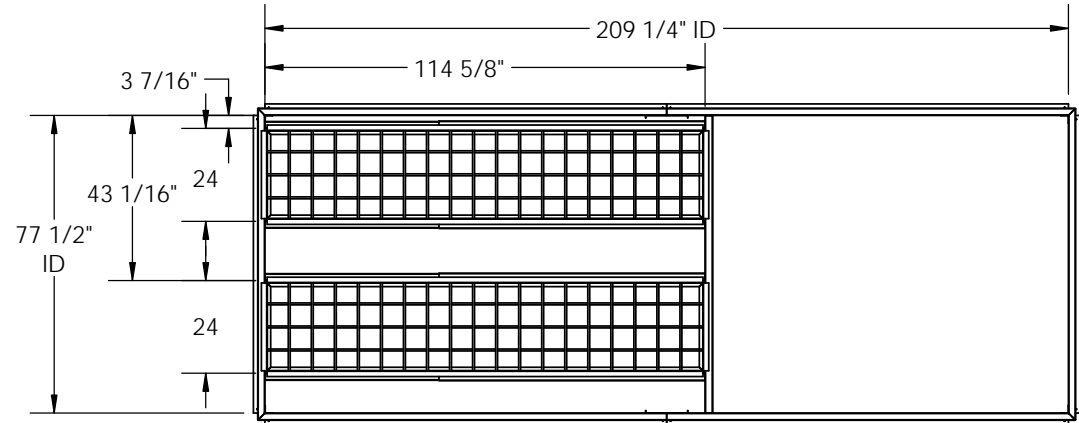
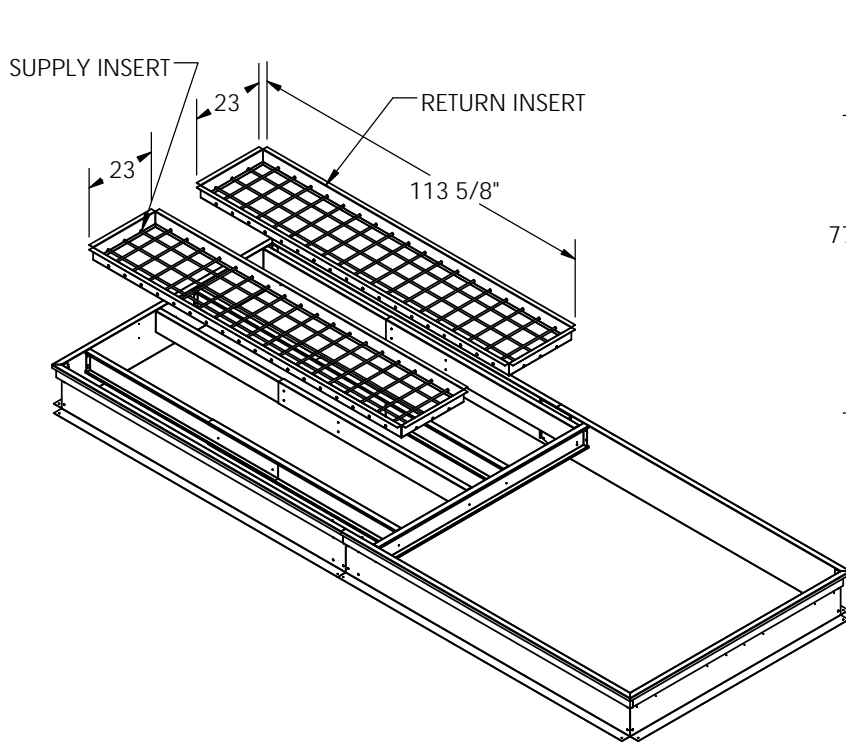
CARRIER 6A

**1000129**

Drawn Date: 06/26/15 Rev.

Drawn By: RTO

**Estimated Weight: 497 LBS.**



**FEATURES:**

1. BURGLAR BAR INSERTS ARE FABRICATED OF GALVANIZED STEEL AND 1/2 STEEL ROD.
2. INSERTS ARE A ONE-PIECE WELDED CONSTRUCTION.
3. ALL WELDS ARE SPRAYED WITH GALVANIZED COMPOUND.

**Cambridgeport**

NORTH 8 Fanaras Drive Salisbury Industrial Park Salisbury MA 01952	1-800-648-2872 1-877-648-2872	SOUTH 3529 Lamar Ave. Lamar Industrial park Memphis TN 38118
---	----------------------------------	---

**HVAC Accessories & Engineered Systems**