

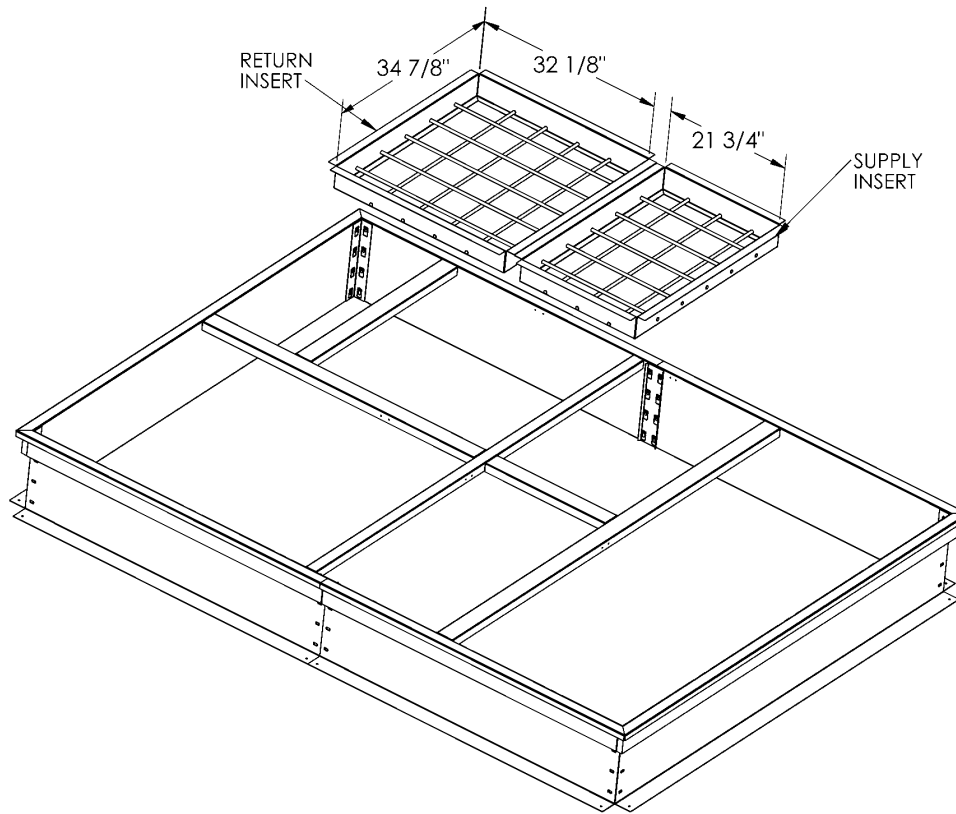
# Cambridgeport

## SUBMITTAL

SUBMITTED TO \_\_\_\_\_  
COMPANY \_\_\_\_\_  
JOB NAME \_\_\_\_\_  
EQUIPMENT \_\_\_\_\_  
SIGNATURE \_\_\_\_\_  
DATE \_\_\_\_\_

**BURGLAR BAR INSERTS FOR  
YORK  
ROOFTOP UNITS  
BCH, DEE, DEG, DCE, DCG 180  
DM, DH, BP, ZF 180**

**PART #  
CAS YORK  
1000192 1RCO403**



## FEATURES

BURGLAR BAR INSERTS ARE FABRICATED OF 18 GA G90 GALVANIZED  
STEEL AND 1/2 STEEL ROD  
ONE-PIECE WELDED CONSTRUCTION  
ALL WELDS SPRAYED WITH GALVANIZED COMPOUND  
DISTANCE BETWEEN STEEL RODS ARE NO MORE THAN 6 INCHES  
OPTIONAL FEATURE;  
5/8 STEEL ROD  
OPENINGS GREATER THAN OR LESS THAN 6 INCHES