

# Cambridgeport

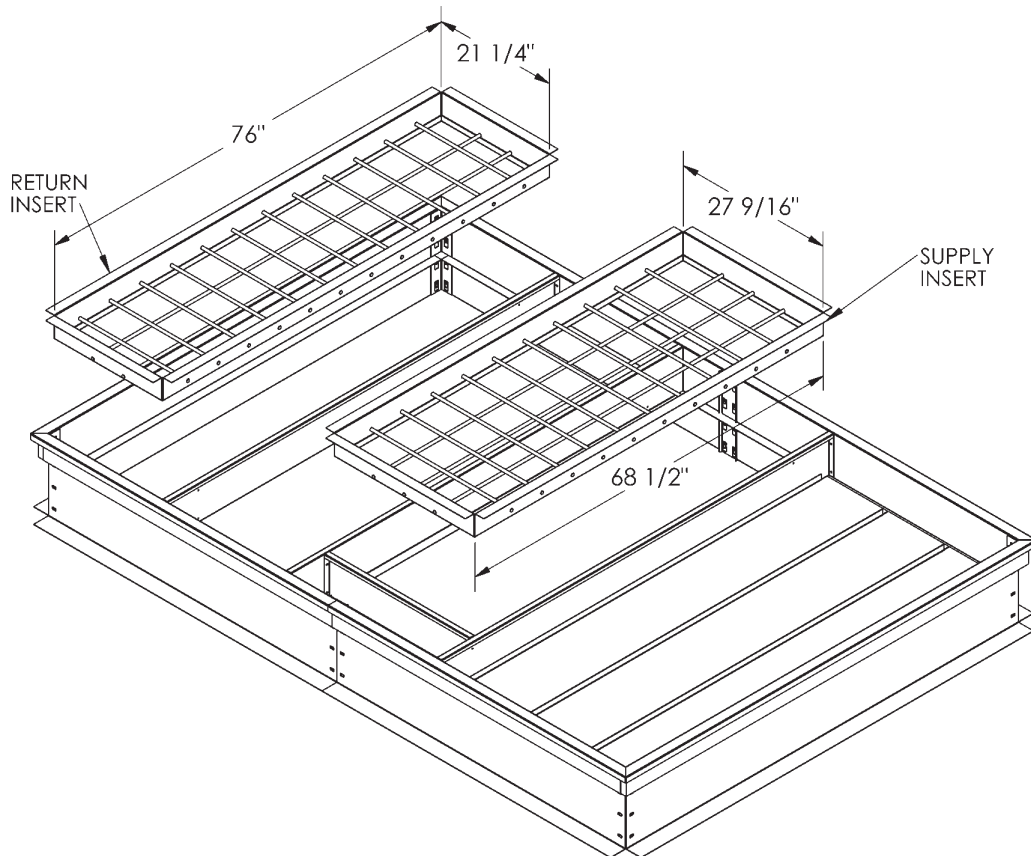
## SUBMITTAL

SUBMITTED TO \_\_\_\_\_  
COMPANY \_\_\_\_\_  
JOB NAME \_\_\_\_\_  
EQUIPMENT \_\_\_\_\_  
SIGNATURE \_\_\_\_\_  
DATE \_\_\_\_\_

## BURGLAR BAR INSERTS FOR TRANE ROOFTOP UNITS

YCD, TCD 181C, 211C, 240B  
YCD, TCD 241C, 300B, 301C  
WCD 240B

**PART #**  
1000239



## FEATURES

BURGLAR BAR INSERTS ARE FABRICATED OF 18 GA G90 GALVANIZED  
STEEL AND 1/2 STEEL ROD  
ONE-PIECE WELDED CONSTRUCTION  
ALL WELDS SPRAYED WITH GALVANIZED COMPOUND  
DISTANCE BETWEEN STEEL RODS ARE NO MORE THAN 6 INCHES  
OPTIONAL FEATURE;  
5/8 STEEL ROD  
OPENINGS GREATER THAN OR LESS THAN 6 INCHES