

# SUBMITTAL

DATE: \_\_\_\_\_  
 PROJECT: \_\_\_\_\_  
 EQUIPMENT: \_\_\_\_\_  
 SUBMITTED BY: \_\_\_\_\_  
 NOTES: \_\_\_\_\_

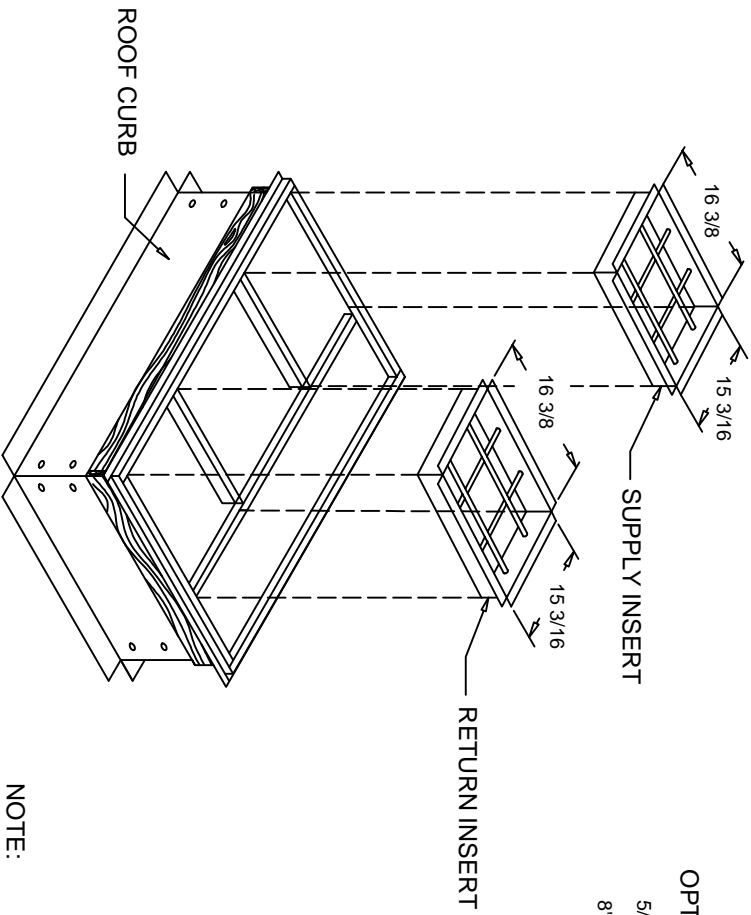
# BURGLAR BAR PACKAGE

### FEATURES:

BURGLAR BAR INSERTS ARE FABRICATED OF GALVANIZED STEEL AND 1/2" STEEL ROD  
 INSERTS ARE A ONE-PIECE WELDED CONSTRUCTION  
 ALL WELDS ARE SPRAYED WITH GALVANIZING COMPOUND

### OPTIONS:

5/8" STEEL ROD  
 8" TO 12" DISTANCE BETWEEN RODS

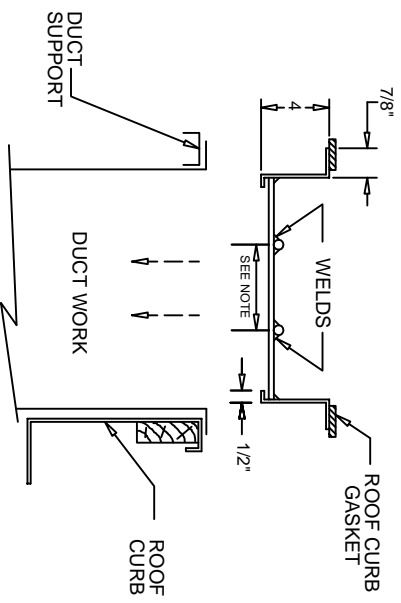


### NOTE:

DISTANCE BETWEEN STEEL RODS IS NOT GREATER THAN 6 INCHES.

CARRIER UNITS  
 48GS 048-060  
 48GX 042-060  
 50 JS,JZ 048-060

PART NUMBER  
 CARRIER CAMBRIDGEPORT  
 CPRFCURB009A00BB 1000376



## BURGLAR BAR CROSS SECTION

DATE:05-23-02 REV:00

CAMBRIDGEPORT  
 SALISBURY, MA 01952  
 PHONE 1-800-648-2872 FAX 978-462-9189