

DATE: \_\_\_\_\_  
 COMPANY: \_\_\_\_\_  
 JOB NAME: \_\_\_\_\_  
 SUBMITTED BY: \_\_\_\_\_  
 NOTES: \_\_\_\_\_

# ROOF CURB SUBMITTAL #1000379

CARRIER 1A

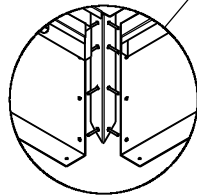
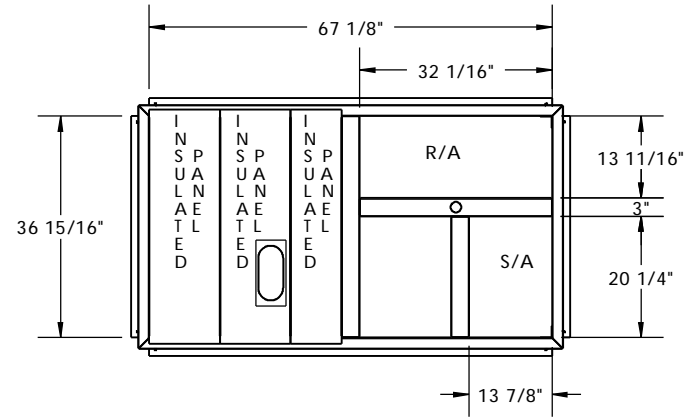
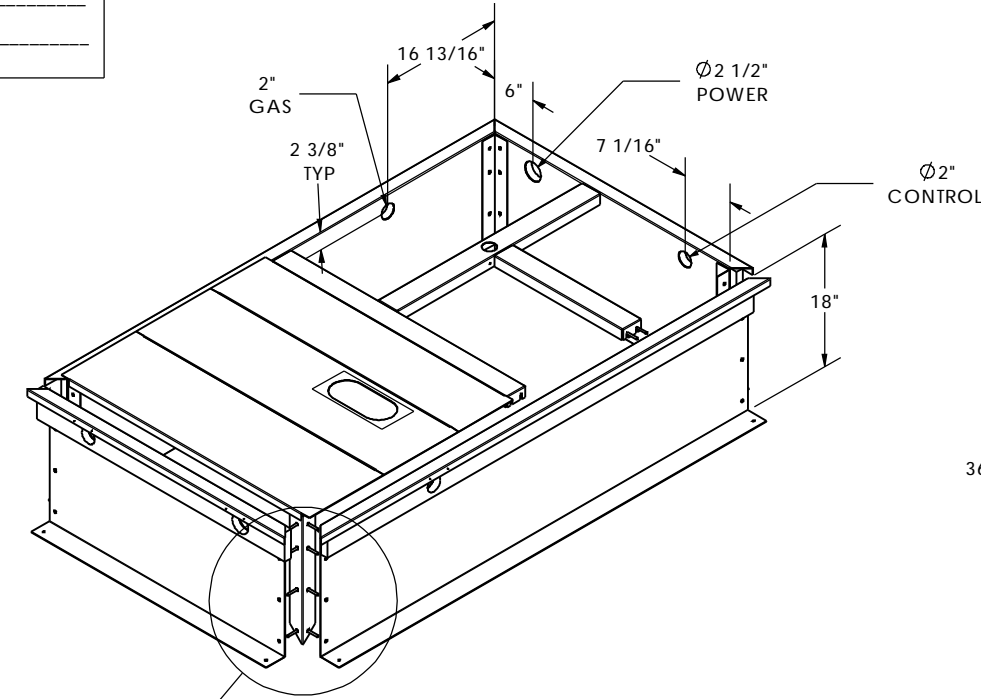
CURB ASSEMBLY NUMBER

1000379

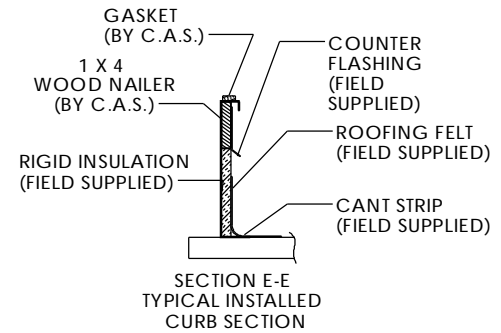
REV:

Drawn By: CJT  
 Drawn Date: 04/13/07

**ESTIMATED WEIGHT: 132 LBS.**



DETAIL A



**FEATURES:**

MITERED TOP CORNERS

ROOF CURB BODY IS FABRICATED OF HEAVY GAUGE GALVANIZED STEEL.

FULL PERIMETER WOOD NAILER.

PRE-PUNCHED ASSEMBLY HOLES AND HARDWARE INCLUDED FOR DUCT SUPPORT INSTALLATION,  
 ROOF CURB IS SHIPPED KNOCKED DOWN.

**Cambridgeport**  
 AIR SYSTEMS, INC.

SALISBURY, MA 01952

PHONE 1-800-648-2872 FAX 1978-462-9189

TM