

Cambridgeport

SUBMITTAL

SUBMITTED TO _____
 COMPANY _____
 JOB NAME _____
 EQUIPMENT _____
 SIGNATURE _____
 DATE _____

ROOF CURBS FOR YORK ROOFTOP UNITS

Y22, Y23, Y24

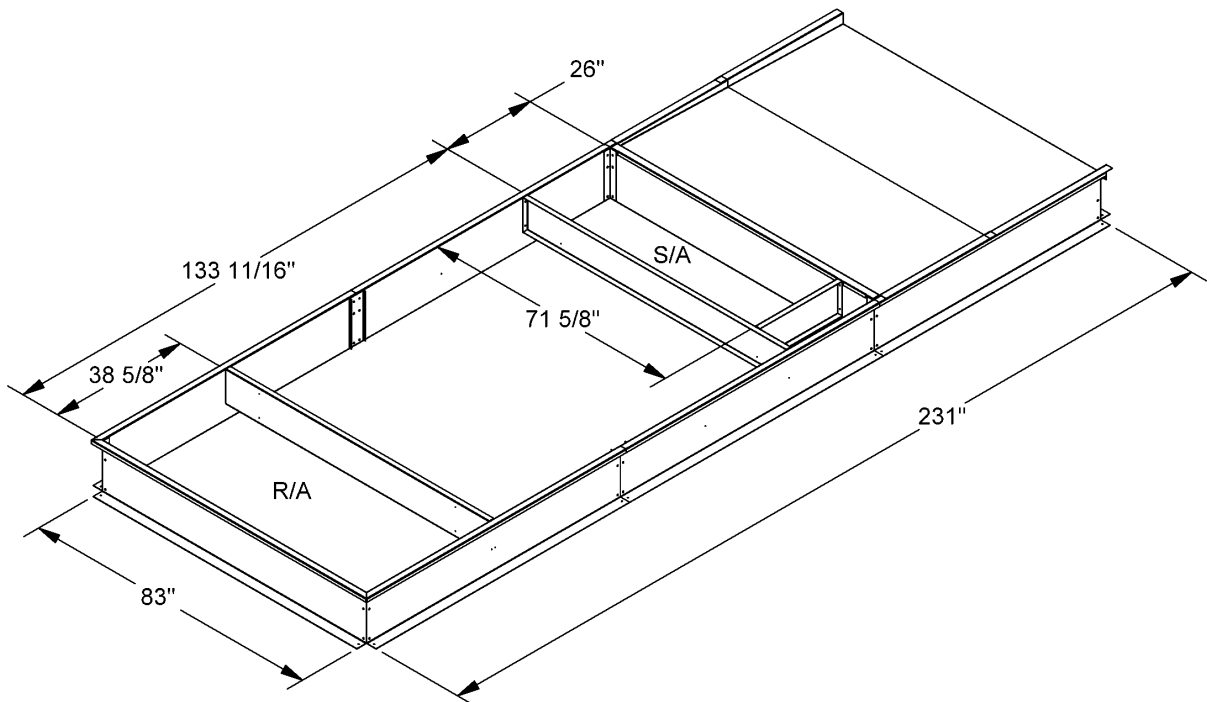
Z22, Z23, Z24

Y32, Y33, Y34

Z32, Z33, Z34

FULL PERIMETER

PART #		PART #	CURB HEIGHT
CAS	YORK	INSULATED	"A"
1000543	1RCO455F	1001921	14"
1001937	N/A	1004373	18"
1001806	N/A	1004374	24"



FEATURES

- MITERED TOP CORNERS
- ROOF CURB IS FABRICATED OF 18GA G90 GALVANIZED STEEL
- FULL PERIMETER WOOD NAILER
- PRE-PUNCHED ASSEMBLY HOLES AND HARDWARE INCLUDED FOR - DUCT SUPPORT INSTALLATION
- ROOF CURB IS SHIPPED UNASSEMBLED
- * CURBS ARE INTERNALLY INSULATED WITH 1" THICK 1-1/2 LB DENSITY DUCT LINER

CORNER BRACKET

