

SUBMITTAL

DATE: _____
 PROJECT: _____
 EQUIPMENT: _____
 SUBMITTED BY: _____
 NOTES: _____

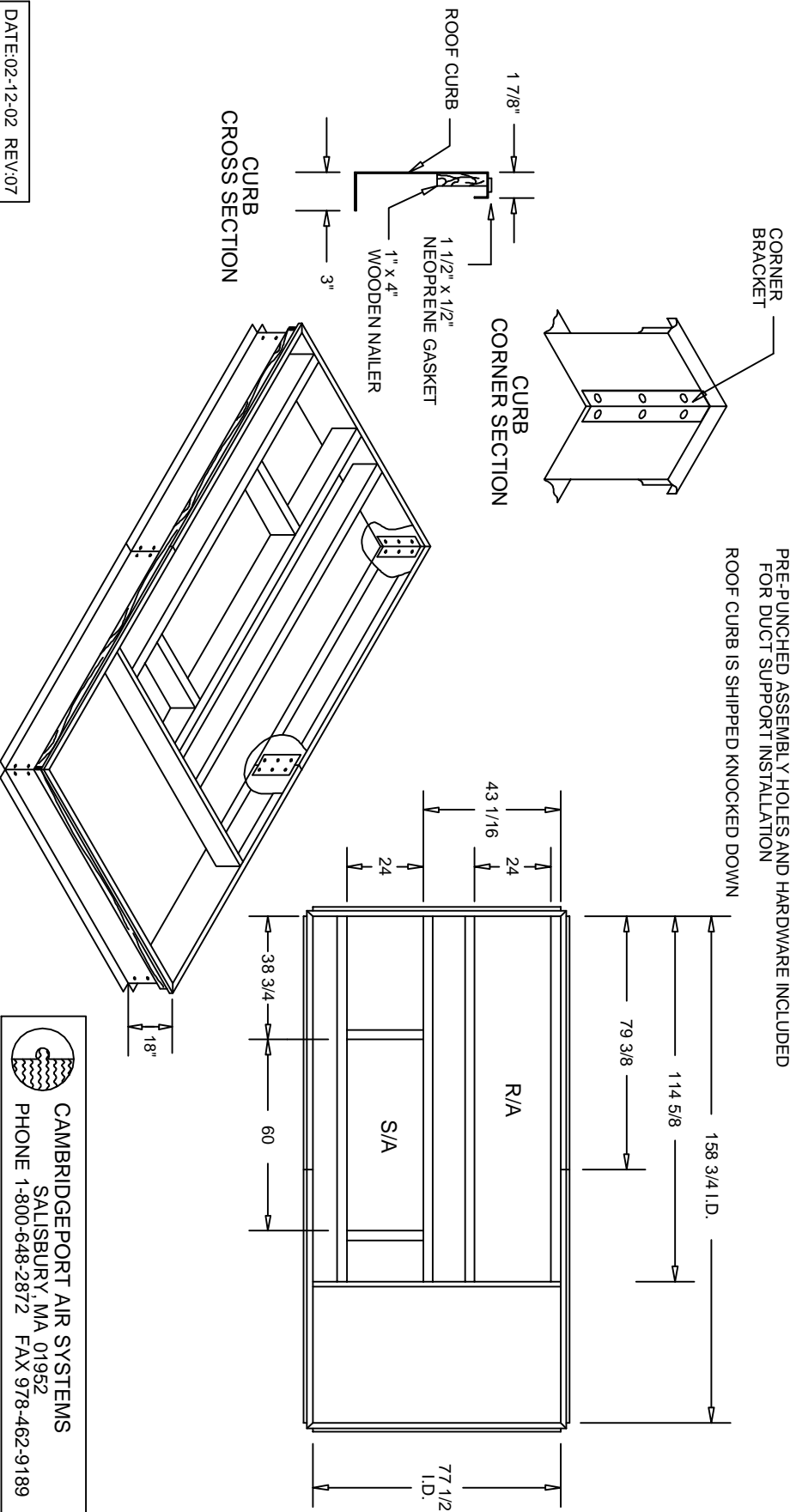
ROOF CURB

FEATURES:

- MITERED TOP CORNERS
- ROOF CURB BODY IS FABRICATED OF HEAVY GAUGE GALVANIZED STEEL
- FULL PERIMETER WOOD NAILER
- PRE-PUNCHED ASSEMBLY HOLES AND HARDWARE INCLUDED FOR DUCT SUPPORT INSTALLATION
- ROOF CURB IS SHIPPED KNOCKED DOWN

CARRIER UNITS
 48/50 E,J,EK,EW,EY 024-034
 48/50 A,J,AK,AW,AY 020-030

PART NUMBER
 CARRIER CAMBRIDGEPORT
 CRRFCURB005A00CP 1000552



DATE:02-12-02 REV:07



CAMBRIDGEPORT AIR SYSTEMS
 SALISBURY, MA 01952
 PHONE 1-800-648-2872 FAX 978-462-9189