

DATE: _____
 COMPANY: _____
 JOB NAME: _____
 SUBMITTED BY: _____
 NOTES: _____

ROOF CURB SUBMITTAL #1000554

CARRIER 10A

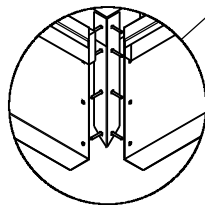
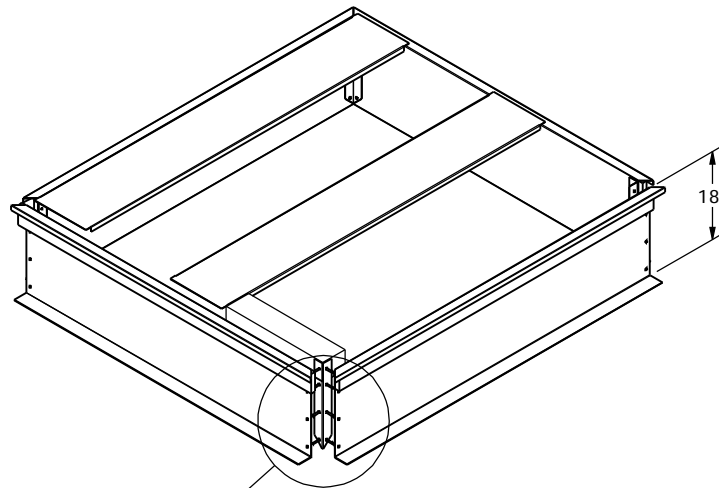
CURB ASSEMBLY NUMBER

1000554

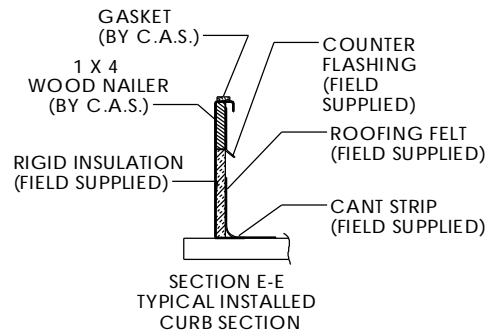
REV:

Drawn By: RTO
 Drawn Date: 03/25/08

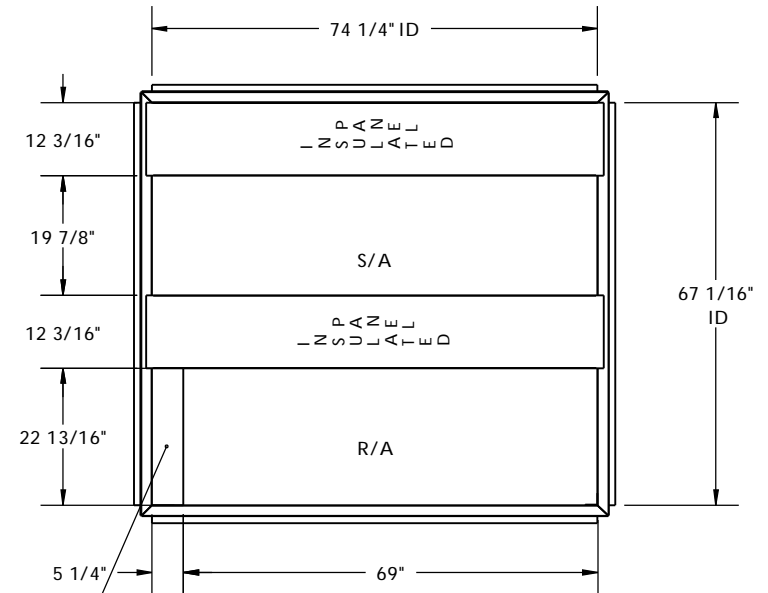
ESTIMATED WEIGHT: 314 LBS.



DETAIL A



ROOF CURB IS LABELED WITH RTU# IF APPLICABLE



FEATURES:

MITERED TOP CORNERS

ROOF CURB BODY IS FABRICATED OF HEAVY GAUGE GALVANIZED STEEL.

FULL PERIMETER WOOD NAILER.

PRE-PUNCHED ASSEMBLY HOLES AND HARDWARE INCLUDED FOR DUCT SUPPORT INSTALLATION,
 ROOF CURB IS SHIPPED KNOCKED DOWN.

© 2007 COX ENGINEERING COMPANY
 DBA CAMBRIDGEPORT AIR SYSTEMS. ALL RIGHTS RESERVED TM

Cambridgeport

AIR SYSTEMS, INC.

SALISBURY, MA 01952
 PHONE 1-800-648-2872 FAX 1978-462-9189