

Cambridgeport

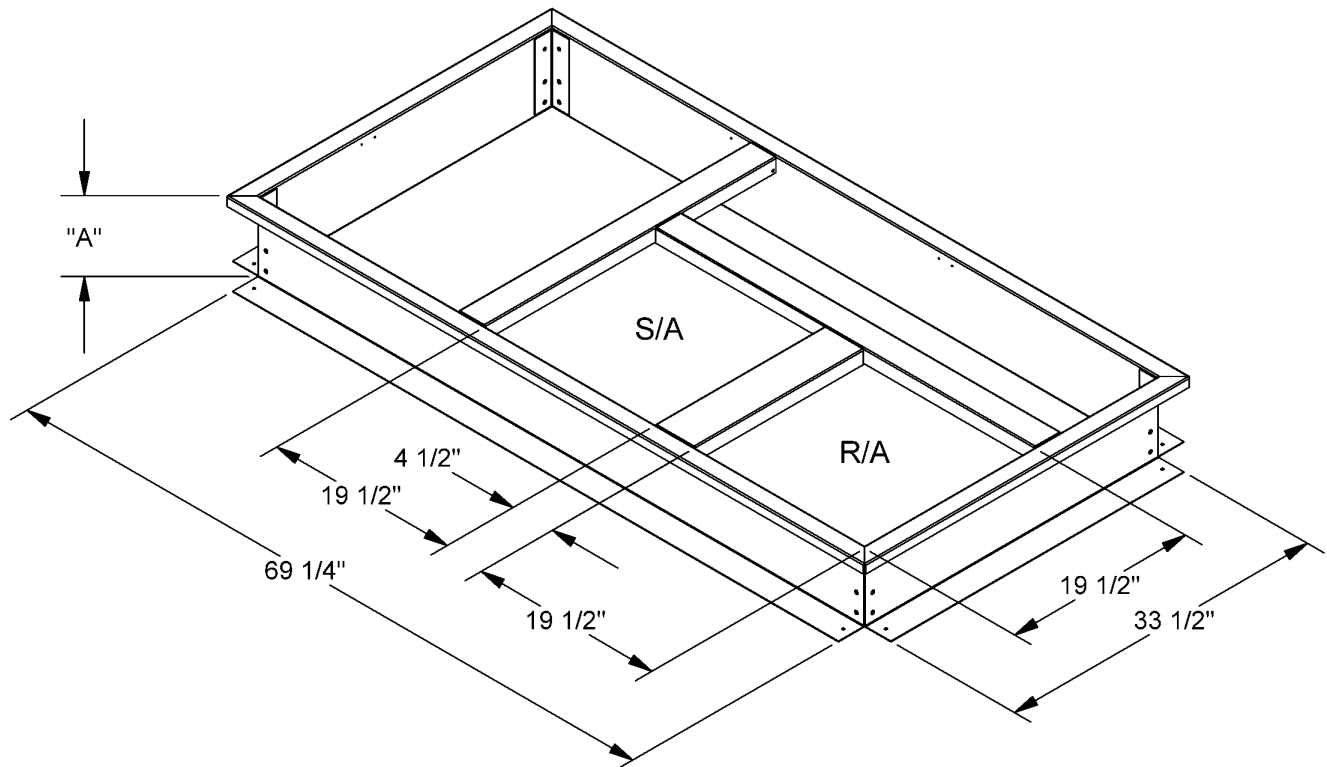
SUBMITTAL

SUBMITTED TO _____
 COMPANY _____
 JOB NAME _____
 EQUIPMENT _____
 SIGNATURE _____
 DATE _____

ROOF CURB FOR YORK ROOFTOP UNITS

BQ, DJ, DH, DM, DY, XP, ZJ, ZR, 036-060
BCH, DEE, DEG, DHE, DHG 036-060
DEG, DCE, BP, DF, DM, DR, ZF 036-072
 **Note: Units with Bottom condensate Drain
 require 1RCO442. Call for Pricing**

| PART # | | PART # | CURB HEIGHT |
|---------|---------|-----------|-------------|
| CAS | YORK | INSULATED | "A" |
| 1000004 | 1RCO434 | 1000951 | 14" |
| 1004349 | 1RCO465 | 1004350 | 8" |
| 1000537 | N/A | 1000916 | 18" |
| 1000177 | 1RCO475 | 1000918 | 24" |



FEATURES

- MITERED TOP CORNERS
- ROOF CURB IS FABRICATED OF 18GA G90 GALVANIZED STEEL
- FULL PERIMETER WOOD NAILER
- PRE-PUNCHED ASSEMBLY HOLES AND HARDWARE INCLUDED FOR DUCT SUPPORT INSTALLATION
- ROOF CURB IS SHIPPED UNASSEMBLED
- * CURBS ARE INTERNALLY INSULATED WITH 1" THICK 1-1/2 LB DENSITY DUCT LINER

