

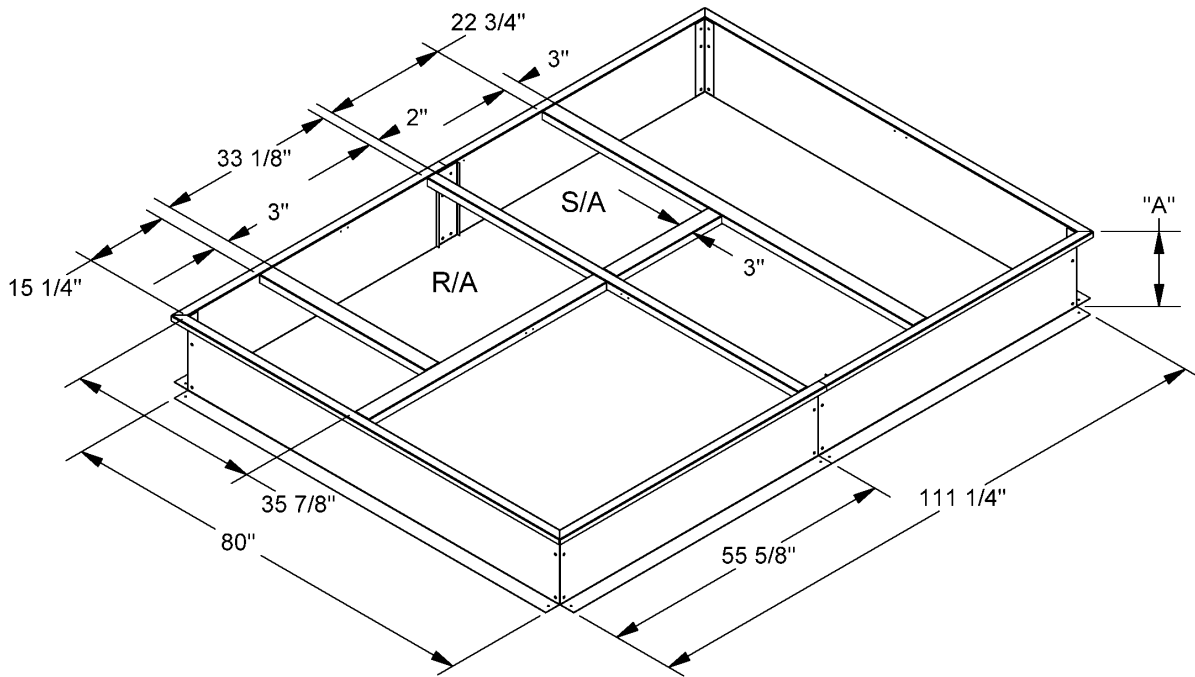
Cambridgeport

SUBMITTAL

SUBMITTED TO _____
 COMPANY _____
 JOB NAME _____
 EQUIPMENT _____
 SIGNATURE _____
 DATE _____

**ROOF CURB FOR YORK
 ROOFTOP UNITS**
 BCH, DEE, DEG, DCE, DCG 180
 DM, DH, BP, ZF 180

PART #		PART #	CURB HEIGHT "A"
CAS	YORK	INSULATED	
1000006	1RCO436	1000857	14"
1004361	N/A	1004362	8"
1001571	N/A	1004363	18"
1000191	1RCO477	1004364	24"



FEATURES

- MITERED TOP CORNERS
- ROOF CURB IS FABRICATED OF 18GA G90 GALVANIZED STEEL
- FULL PERIMETER WOOD NAILER
- PRE-PUNCHED ASSEMBLY HOLES AND HARDWARE INCLUDED FOR - DUCT SUPPORT INSTALLATION
- ROOF CURB IS SHIPPED UNASSEMBLED
- * CURBS ARE INTERNALLY INSULATED WITH 1" THICK 1-1/2 LB DENSITY DUCT LINER

