

DATE: \_\_\_\_\_  
 COMPANY: \_\_\_\_\_  
 JOB NAME: \_\_\_\_\_  
 SUBMITTED BY: \_\_\_\_\_  
 NOTES: \_\_\_\_\_  
 \_\_\_\_\_

# SURE-LOCK ROOF CURB SUBMITTAL #1001586

YORK 1RCO-471

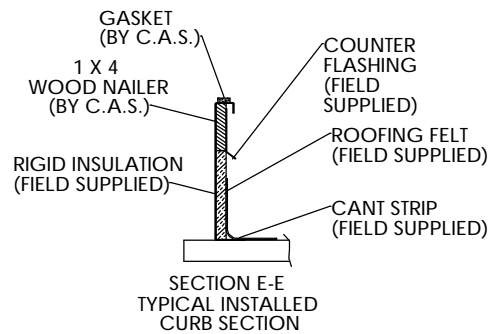
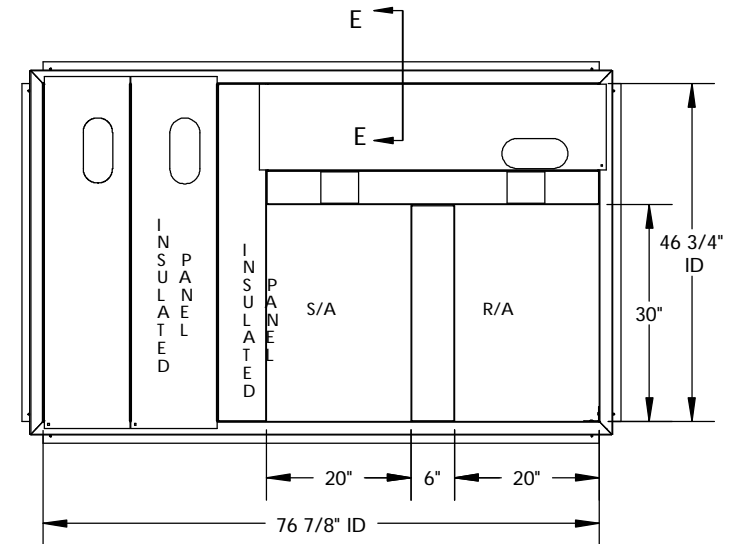
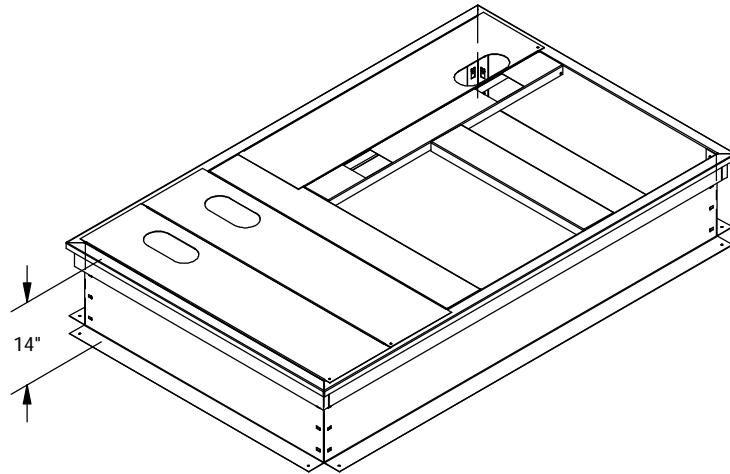
SURE-LOCK CURB NUMBER

1001586

REV:

Drawn By: RTO  
 Drawn Date: 01/24/07

**ESTIMATED WEIGHT: 143 LBS.**



**FEATURES:**

- MITERED TOP CORNERS
- FULL PERIMETER WOOD NAILER.
- PRE-PUNCHED ASSEMBLY HOLES AND HARDWARE INCLUDED FOR DUCT SUPPORT INSTALLATION,
- ROOF CURB IS SHIPPED KNOCKED DOWN.
- ROOF CURB IS SEISMIC RATED AND CAN BE CERTIFIED UPON REQUEST

ROOF CURB IS LABELED WITH RTU# IF APPLICABLE

TM

## Cambridgeport

### AIR SYSTEMS, INC.

SALISBURY, MA 01952  
 PHONE 1-800-648-2872 FAX 1978-462-9189