

Cambridgeport

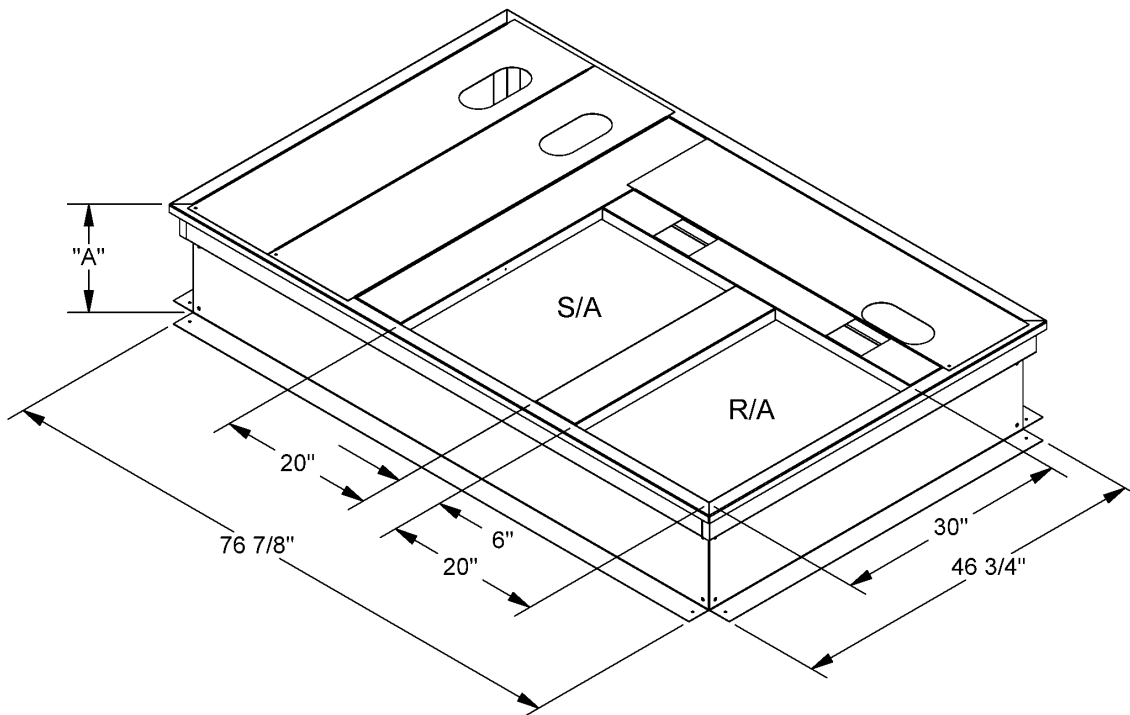
SUBMITTAL

SUBMITTED TO _____
 COMPANY _____
 JOB NAME _____
 EQUIPMENT _____
 SIGNATURE _____
 DATE _____

ROOF CURBS FOR YORK ROOFTOP UNITS

BP, DH, DM, 078-150
 XP, ZF, ZH, ZJ, ZR, 078-150
 ZH, ZJ, ZR 037 & 049 & 061
 DF 078-120
 DR 090-150
 DJ150

PART #		PART #	CURB HEIGHT
CAS	YORK	INSULATED	"A"
1001586	1RCO471	1001842	14"
1004357	1RCO470	1004358	8"
1001538	N/A	1004359	18"
1001831	1RCO476	1004360	24"



FEATURES

- MITERED TOP CORNERS
- ROOF CURB IS FABRICATED OF 18GA G90 GALVANIZED STEEL
- FULL PERIMETER WOOD NAILER
- PRE-PUNCHED ASSEMBLY HOLES AND HARDWARE INCLUDED FOR DUCT SUPPORT INSTALLATION
- ROOF CURB IS SHIPPED UNASSEMBLED
- * CURBS ARE INTERNALLY INSULATED WITH 1" THICK 1-1/2 LB DENSITY DUCT LINER

