

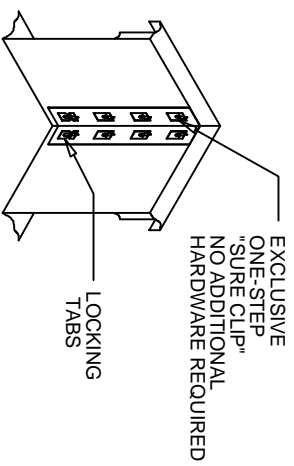
SUBMITTAL

DATE: _____
 PROJECT: _____
 EQUIPMENT: _____
 SUBMITTED BY: _____
 NOTES: _____

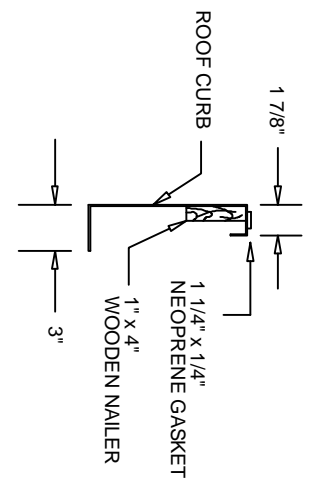
SURE-LOCK ROOF CURB

FEATURES:

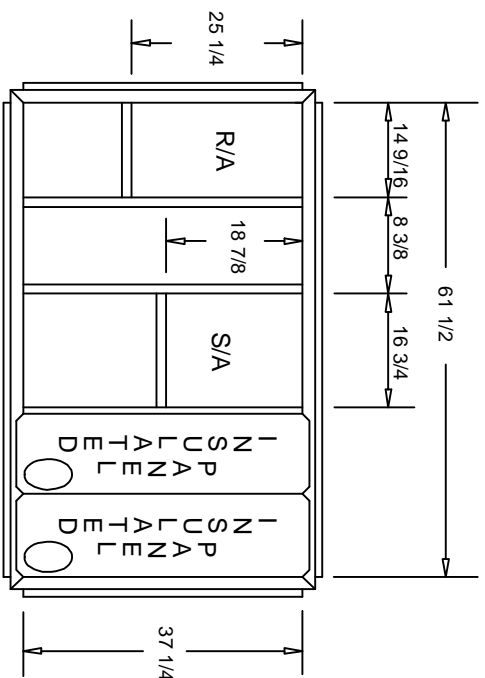
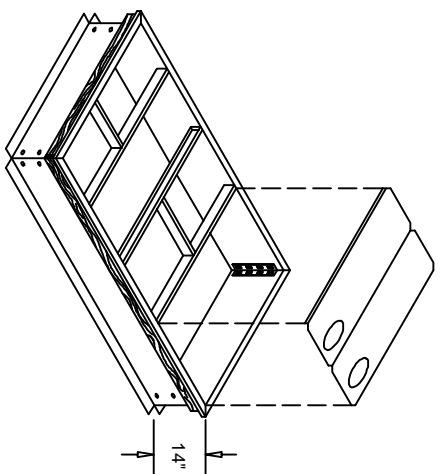
- MITERED TOP CORNERS
- ROOF CURB BODY IS FABRICATED OF HEAVY GAUGE GALVANIZED STEEL
- FULL PERIMETER WOOD NAILER
- PRE-PUNCHED ASSEMBLY HOLES AND HARDWARE INCLUDED FOR DUCT SUPPORT INSTALLATION
- ROOF CURB IS SHIPPED KNOCKED DOWN
- EXCLUSIVE "SURE CLIP" DESIGN FOR QUICK AND EASY ASSEMBLY
- ROOF CURB IS SEISMIC RATED



CURB CORNER SECTION
 U.S. PATENT #5465533



CURB CROSS SECTION



DATE: 11-27-01 REV:00

TRANE UNITS
 T*C, Y*C, WSC 036-060A
 PART NUMBER
 TRANE CAMBRIDGEPORT
 BAYCURB042SL 1002582

CAMBRIDGEPORT AIR SYSTEMS
 SALISBURY, MA 01952
 PHONE 1-800-648-2872 FAX 978-462-9189