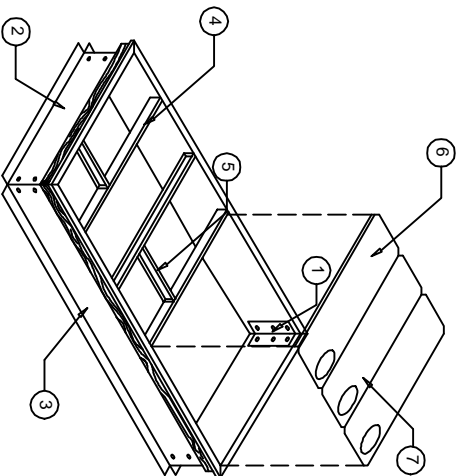
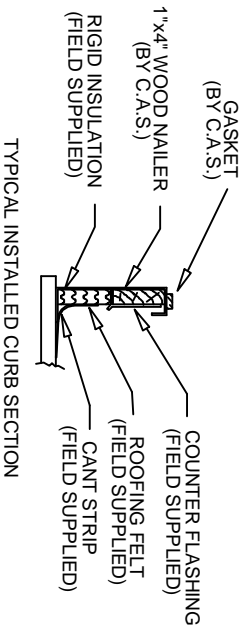


SURE-LOCK ROOF CURB ASSEMBLY INSTRUCTIONS



PARTS LIST

- ① CORNER BRACKET (QTY.4)
- ② END RAILS (QTY.2)
- ③ SIDE RAILS (QTY.2)
- ④ DUCT SUPPORTS (QTY.3)
- ⑤ DUCT SUPPORTS (QTY.2)
- ⑥ INSULATED PANELS (QTY.1)
- ⑦ INSULATED PANELS (QTY.2)
- ⑧ HARDWARE BAG (QTY.1)
(25) 10-16x3/4" TEK. SCREW
25 FT. GASKET 1 1/4" x 1/4"
(1) INSTRUCTION SHEET



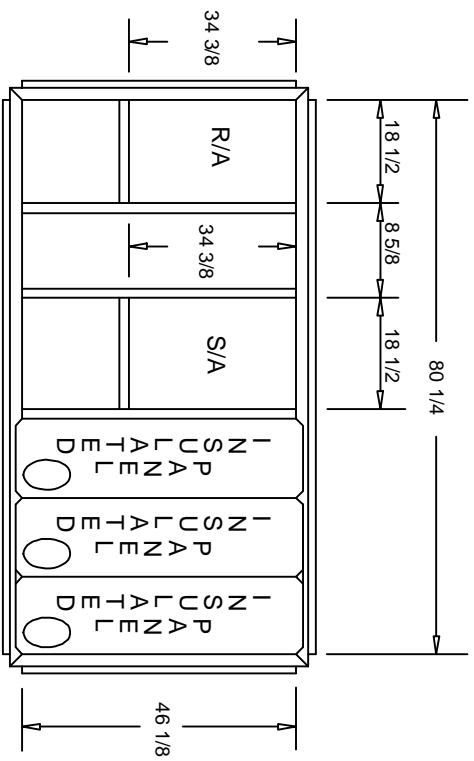
TYPICAL INSTALLED CURB SECTION

DATE:10-31-01 REV:00

SEE REVERSE SIDE FOR STEP-BY-STEP ASSEMBLY INSTRUCTIONS.

TRANE UNITS
 T°C, Y°C 072-120A
 WSC 072,090,120A

PART NUMBER
 TRANE CAMBRIDGEPORT
 BAYCURB043SL 1002837



CAMBRIDGEPORT AIR SYSTEMS
 SALISBURY, MA 01952
 PHONE 1-800-648-2872 FAX 978-462-9189