

Cambridgeport

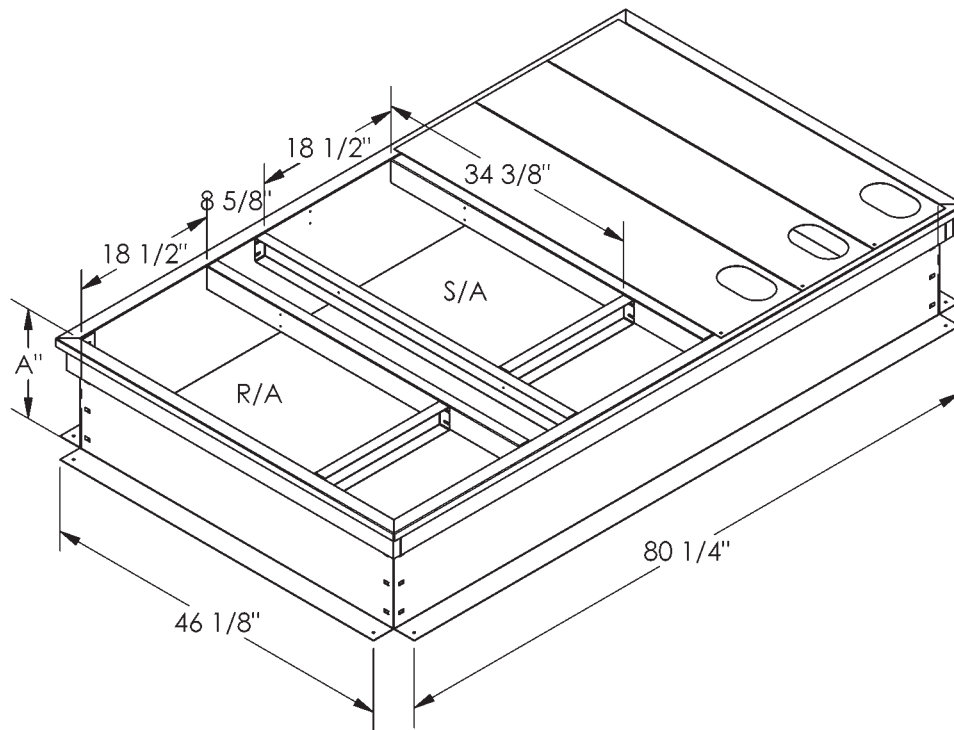
SUBMITTAL

SUBMITTED TO _____
 COMPANY _____
 JOB NAME _____
 EQUIPMENT _____
 SIGNATURE _____
 DATE _____

ROOF CURBS FOR TRANE ROOFTOP UNITS

Y*C, T*C 072A, 090A, 092A
 Y*C, T*C 102A, 120A
 YHC 048E, 060E, 072E
 WSC 072A, 102A, 120A

PART #	PART #		CURB HEIGHT "A"
	CAS	TRANE	
1002837	BAYCURB043	1005566	14"
1010000	N/A	1010001	8"
1003143	N/A	1005567	18"
1003033	N/A	1005568	24"



FEATURES

- MITERED TOP CORNERS
- ROOF CURB IS FABRICATED OF 18GA G90 GALVANIZED STEEL
- FULL PERIMETER WOOD NAILER
- PRE-PUNCHED ASSEMBLY HOLES AND HARDWARE INCLUDED FOR - DUCT SUPPORT INSTALLATION
- ROOF CURB IS SHIPPED UNASSEMBLED
- * CURBS ARE INTERNALLY INSULATED WITH 1" THICK 1-1/2 LB DENSITY DUCT LINER

