

# SEISMIC RATED ROOF CURB

TRANE UNITS

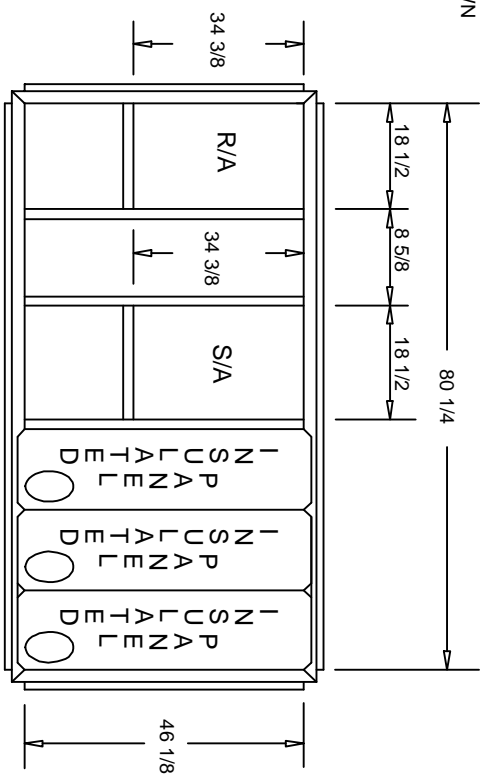
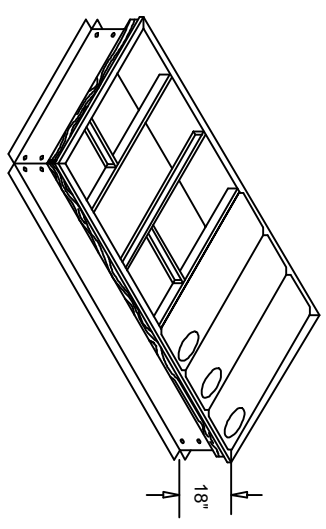
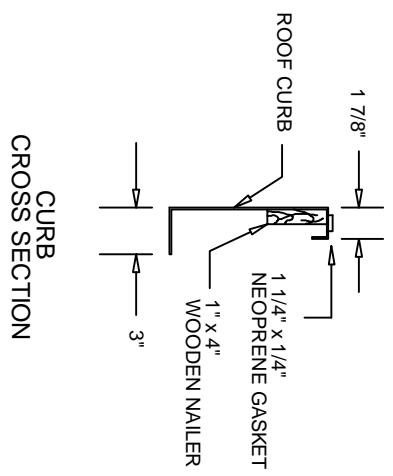
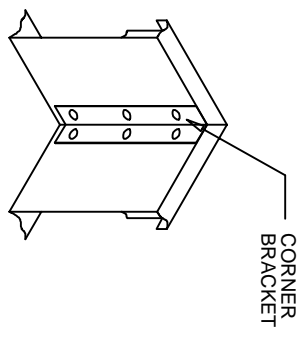
T\*C, Y\*C 072-120A  
WSC 072,090,120A

PART NUMBER

TRANE CAMBRIDGEPORT  
BAYCURB043CP 1003143

**FEATURES:**

- MITERED TOP CORNERS
- ROOF CURB BODY IS FABRICATED OF HEAVY GAUGE GALVANIZED STEEL
- FULL PERIMETER WOOD NAILER
- PRE-PUNCHED ASSEMBLY HOLES AND HARDWARE INCLUDED FOR DUCT SUPPORT INSTALLATION
- ROOF CURB IS SHIPPED KNOCKED DOWN



DATE:04-23-02 REV:00

CAMBRIDGEPORT AIR SYSTEMS  
SALISBURY, MA 01952  
PHONE 1-800-648-2872 FAX 978-462-9189