

ADJUSTABLE SLOPE ROOF CURB ASSEMBLY INSTRUCTIONS

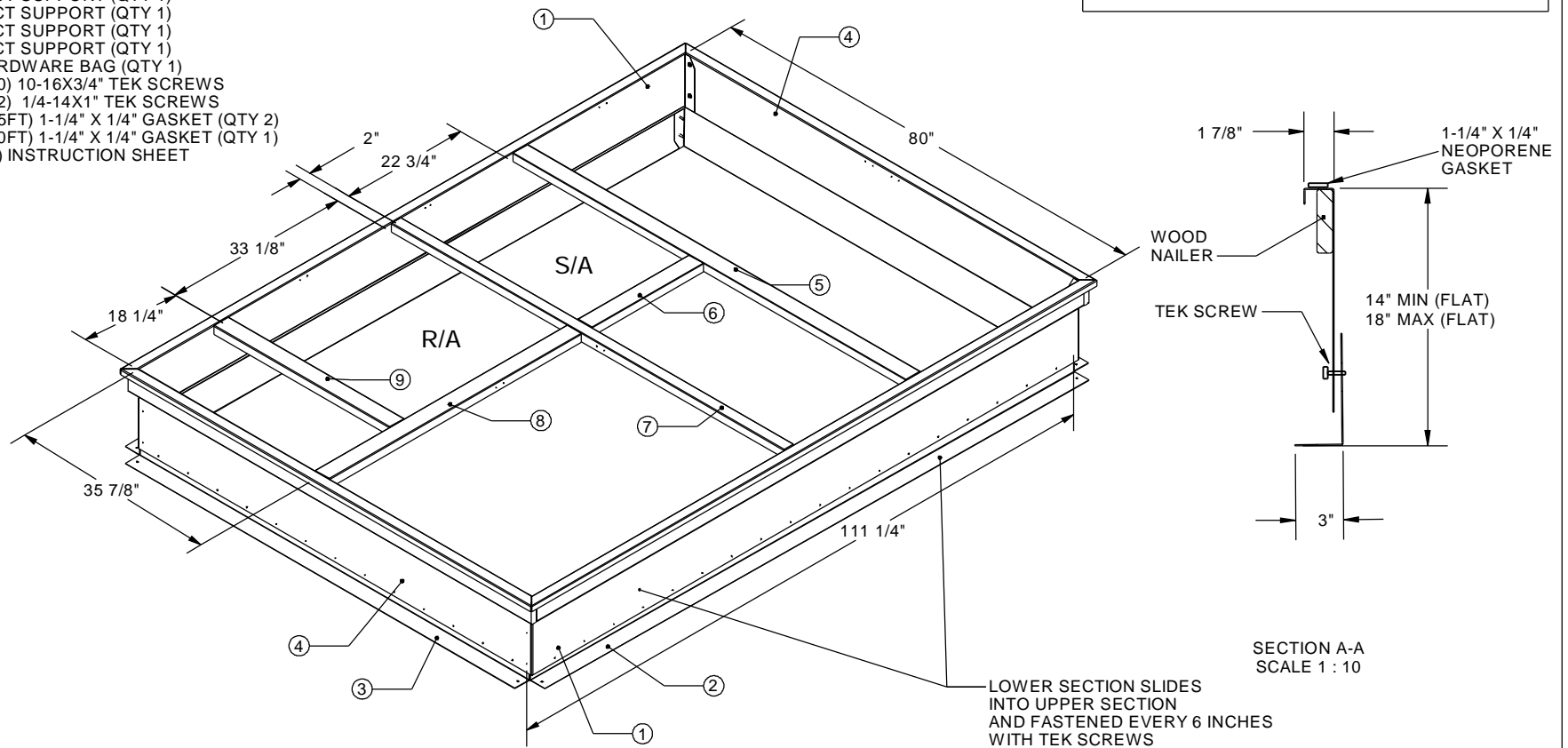
YORK UNITS
DCG, DCE, DEG, DEE, BCH 180

PART NUMBER

1004365 - CASADJSLP436

PARTS LIST

- 1 UPPER SIDE RAILS (QTY 2)
- 2 LOWER SIDE RAILS (QTY 2)
- 3 LOWER END RAILS (QTY 2)
- 4 UPPER END RAILS (QTY 2)
- 5 DUCT SUPPORT (QTY 1)
- 6 DUCT SUPPORT (QTY 1)
- 7 DUCT SUPPORT (QTY 1)
- 8 DUCT SUPPORT (QTY 1)
- 9 DUCT SUPPORT (QTY 1)
- 10 HARDWARE BAG (QTY 1)
- (20) 10-16X3/4" TEK SCREWS
- (82) 1/4-14X1" TEK SCREWS
- (25FT) 1-1/4" X 1/4" GASKET (QTY 2)
- (10FT) 1-1/4" X 1/4" GASKET (QTY 1)
- (1) INSTRUCTION SHEET



SECTION A-A
SCALE 1 : 10

LOWER SECTION SLIDES
INTO UPPER SECTION
AND FASTENED EVERY 6 INCHES
WITH TEK SCREWS

1800095 DATE:01-19-04 REV: 00

SEE REVERSE SIDE FOR
STEP-BY-STEP ASSEMBLY
INSTRUCTIONS.

Cambridgeport™

North 1-800-648-2872/FAX 978-462-9189
South 1-877-648-2872/FAX 901-566-0035