

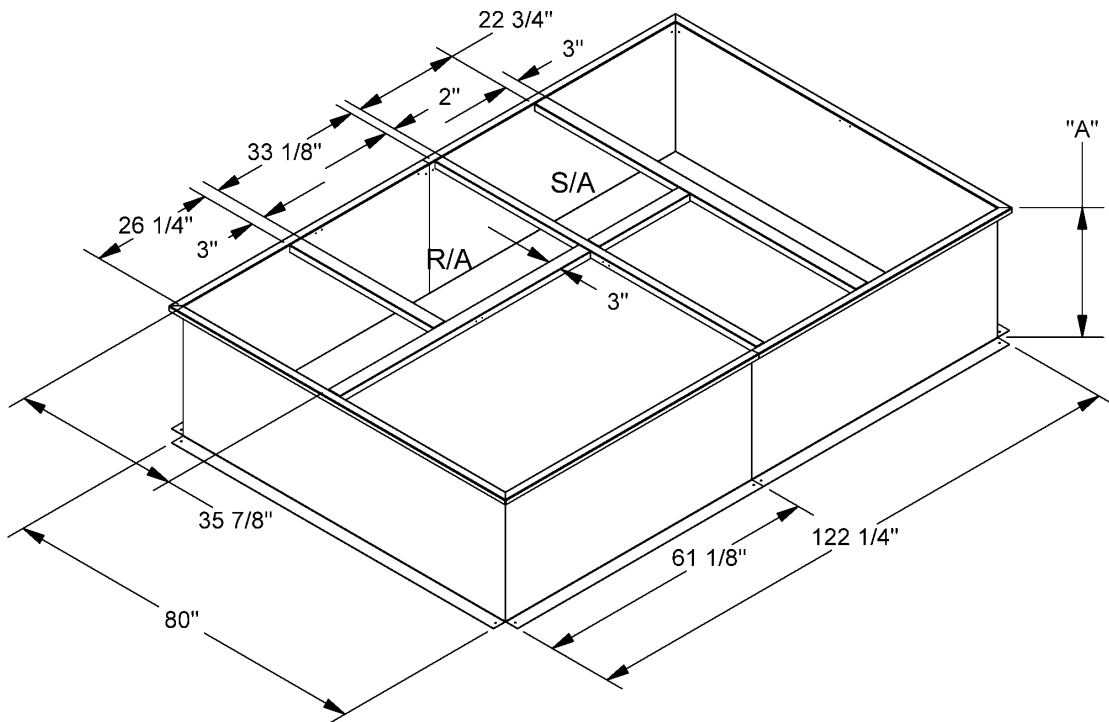
Cambridgeport

SUBMITTAL

SUBMITTED TO _____
 COMPANY _____
 JOB NAME _____
 EQUIPMENT _____
 SIGNATURE _____
 DATE _____

**ROOF CURBS FOR YORK
 ROOFTOP UNITS**
 DM, DCE, DCG, DCV 240-300
 BP, BQ, BCH, DEG, DEE 240
 DJ, DR, WJ, WR, ZJ, ZR 180-300
 DH, DM, ZF 210 300
 XP 180-240

PART #		PART #	CURB HEIGHT
CAS	YORK	INSULATED	"A"
1000007	1RCO437	1000800	14"
1004366	N/A	1004367	8"
1001569	N/A	1004368	18"
1000196	1RCO478	1004369	24"



FEATURES

- MITERED TOP CORNERS
- ROOF CURB IS FABRICATED OF 18GA G90 GALVANIZED STEEL
- FULL PERIMETER WOOD NAILER
- PRE-PUNCHED ASSEMBLY HOLES AND HARDWARE INCLUDED FOR - DUCT SUPPORT INSTALLATION
- ROOF CURB IS SHIPPED UNASSEMBLED
- * CURBS ARE INTERNALLY INSULATED WITH 1" THICK 1-1/2 LB DENSITY DUCT LINER

