

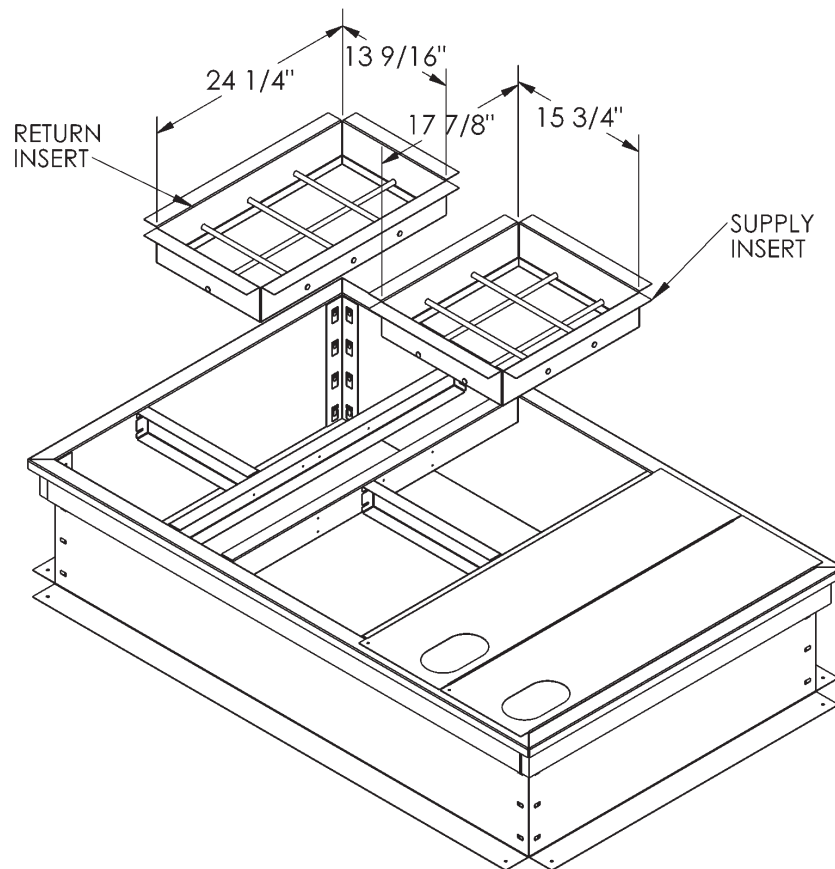
# Cambridgeport

## SUBMITTAL

SUBMITTED TO \_\_\_\_\_  
COMPANY \_\_\_\_\_  
JOB NAME \_\_\_\_\_  
EQUIPMENT \_\_\_\_\_  
SIGNATURE \_\_\_\_\_  
DATE \_\_\_\_\_

**BURGLAR BAR INSERTS FOR  
TRANE ROOFTOP UNITS**  
Y\*C, T\*C 036A, 048A, 060A  
WSC 036A, 048A

**PART #**  
1005143



## FEATURES

BURGLAR BAR INSERTS ARE FABRICATED OF 18 GA G90 GALVANIZED STEEL AND 1/2 STEEL ROD  
ONE-PIECE WELDED CONSTRUCTION  
ALL WELDS SPRAYED WITH GALVANIZED COMPOUND  
DISTANCE BETWEEN STEEL RODS ARE NO MORE THAN 6 INCHES  
OPTIONAL FEATURE;  
5/8 STEEL ROD  
OPENINGS GREATER THAN OR LESS THAN 6 INCHES