

Cambridgeport

North 800-648-2872/Fax 978-462-9189
South 877-648-2872/Fax 901-566-0035

ADJUSTABLE SLOPE ROOF CURB FOR CARRIER UNITS

48/50TJ 016, 020, 024, 028
48/50HJ 015, 017, 025
48/50TM 016-025
50HJQ 014, 016

FEATURES:

FULLY ADJUSTABLE HEIGHT AND PITCH
UP TO 1" PER FOOT LONG SIDE
UP TO 1" PER FOOT SHORT SIDE

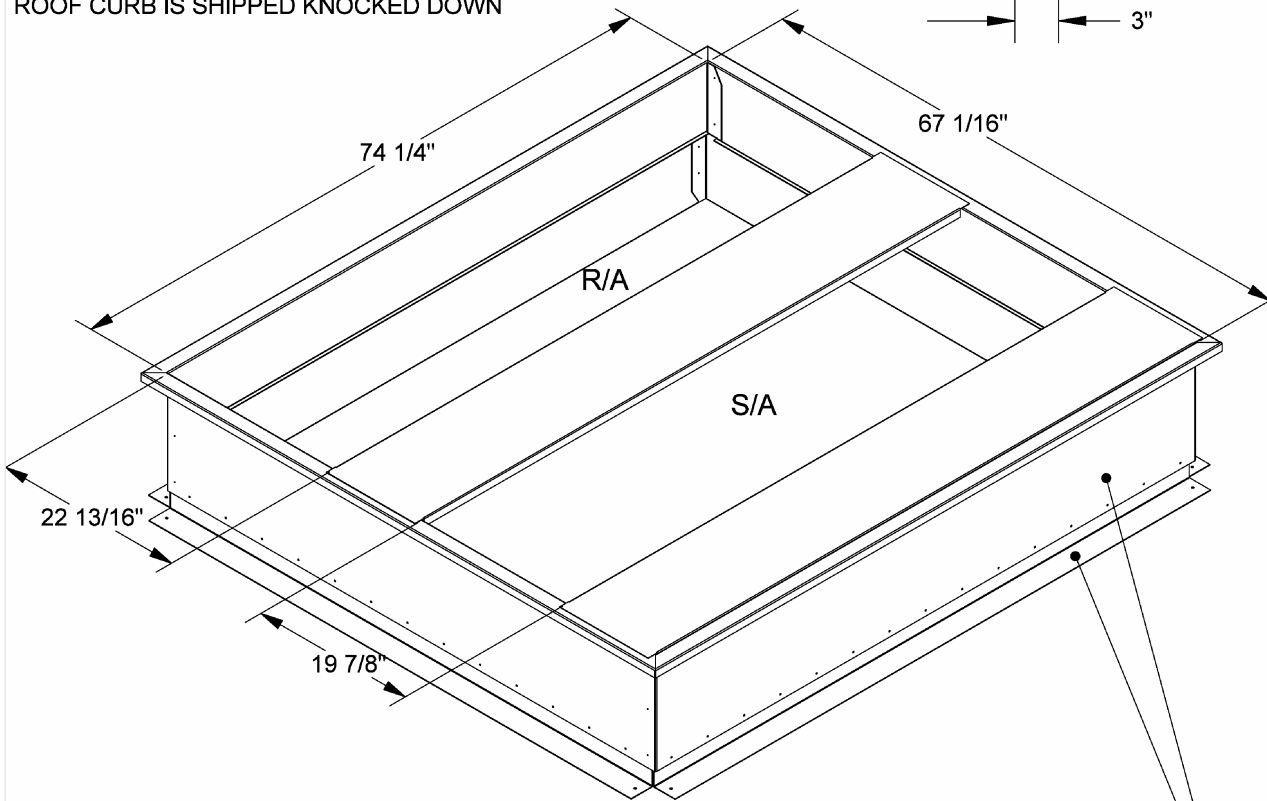
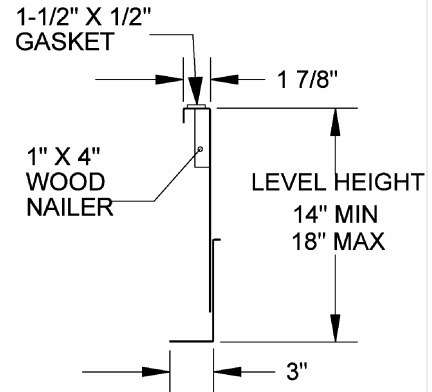
MITERED TOP CORNERS

ROOF CURB BODY IS FABRICATED OF HEAVY
GAUGE GALVANIZED STEEL

FULL PERIMETER WOOD NAILER

PRE-PUNCHED ASSEMBLY HOLES AND HARDWARE
INCLUDED FOR DUCT SUPPORT INSTALLATION

ROOF CURB IS SHIPPED KNOCKED DOWN



LOWER SECTION SLIDES
INTO UPPER SECTION
AND FASTENED EVERY 6 INCHES
WITH TEK SCREWS

CAS PART #

1005175