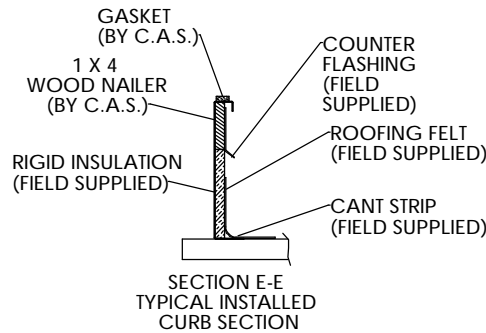
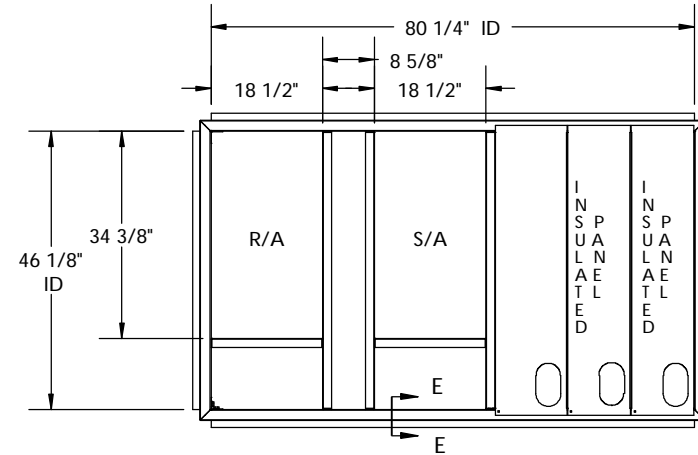
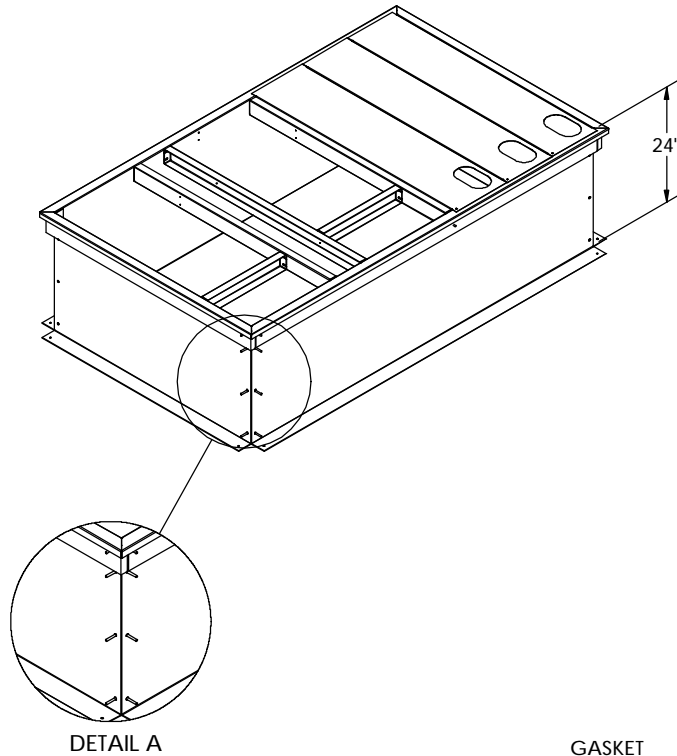


DATE: _____
 COMPANY: _____
 JOB NAME: _____
 SUBMITTED BY: _____
 NOTES: _____

INSULATED ROOF CURB SUBMITTAL #1005568

TRANR BAYCURB043
 INSUL CURB ASSEMBLY NUMBER
 1005568
 REV: _____
 Drawn By: RTO
 Drawn Date: 12/10/13
ESTIMATED WEIGHT: 196 LBS.

FULLY INSULATED



FEATURES:

- MITERED TOP CORNERS
- ROOF CURB BODY IS FABRICATED OF HEAVY GAUGE GALVANIZED STEEL.
- PRE-PUNCHED ASSEMBLY HOLES AND HARDWARE INCLUDED FOR DUCT SUPPORT INSTALLATION,
- FULL PERIMETER WOOD NAILER.
- ROOF CURB IS SHIPPED KNOCKED DOWN.
- ROOF CURB IS FULLY INSULATED.

ROOF CURB IS LABELED WITH RTU# IF APPLICABLE

TM

Cambridgeport

AIR SYSTEMS, INC.
 SALISBURY, MA 01952
 PHONE 1-800-648-2872 FAX 1978-462-9189