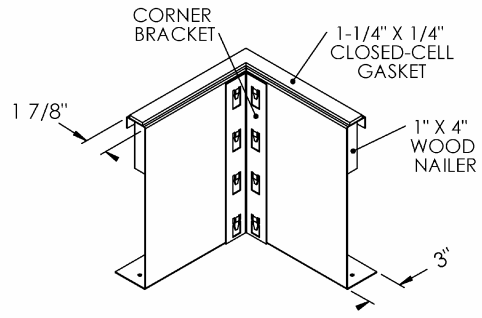


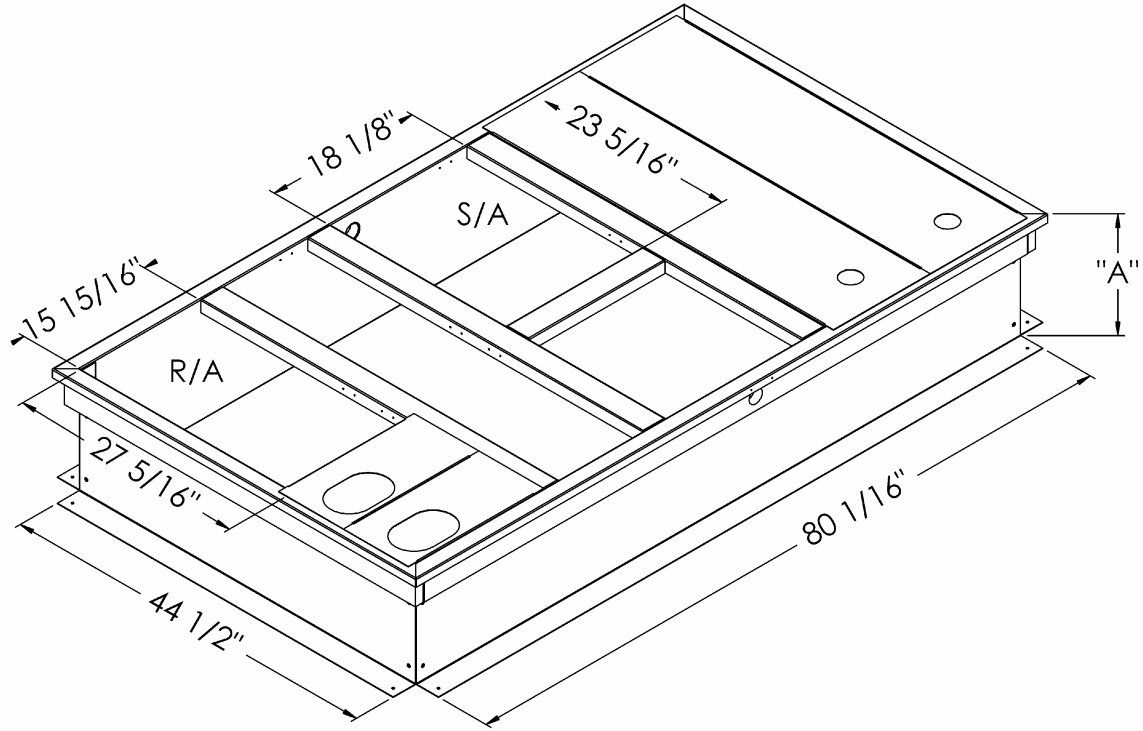
**ROOF CURB FOR
 CARRIER UNITS
 48/50 PG 03-07**

FEATURES:

- MITERED TOP CORNERS
- ROOF CURB BODY IS FABRICATED OF HEAVY GAUGE GALVANIZED STEEL
- FULL PERIMETER WOOD NAILER
- PRE-PUNCHED ASSEMBLY HOLES AND HARDWARE INCLUDED FOR DUCT SUPPORT INSTALLATION
- ROOF CURB IS SHIPPED UNASSEMBLED
- *CURBS ARE INTERNALLY INSULATED WITH 1" THICK 1-1/2 POUND DENSITY DUCTLINER



CURB CORNER SECTION



PART #		CURB HEIGHT
C.A.S.	*INSULATED	"A"
1005887	1006607	14"
1006606	1006608	18"
1005888	1006609	24"