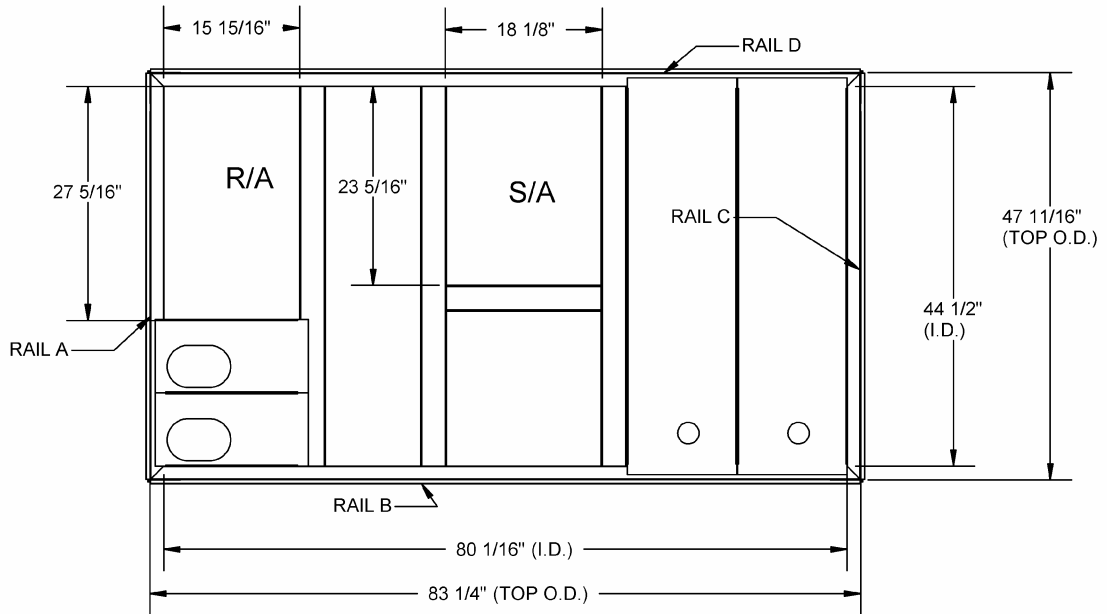
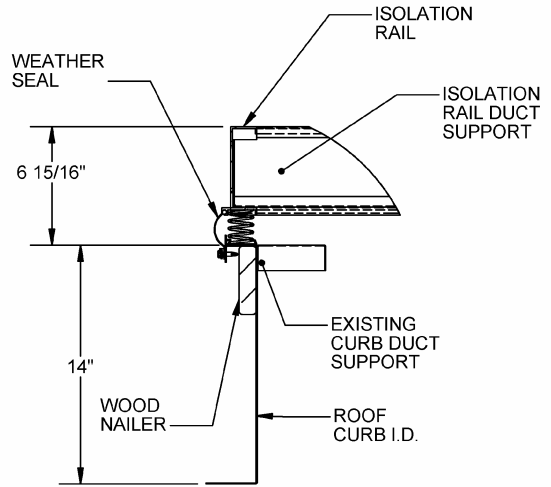


**FEATURES**

- ASSEMBLED TO SUPPLIED ROOF CURB
- MITERED TOP CORNERS
- FABRICATED OF ALUMINUM EXTRUSION
- FULL PERIMETER WEATHER SEAL
- 1" OR 2" STATIC DEFLECTION
- DUCT SUPPORTS INCLUDED
- INSTALLATION INSTRUCTIONS INCLUDED
- CANVAS DUCT CONNECTION NOT INCLUDED
- FULLY ASSEMBLED



| PART #         |            |          |
|----------------|------------|----------|
|                | DEFLECTION | C. A. S. |
| ISOLATION CURB | 1 INCH     | 1005890  |
| ISOLATION CURB | 2 INCH     | 1005891  |