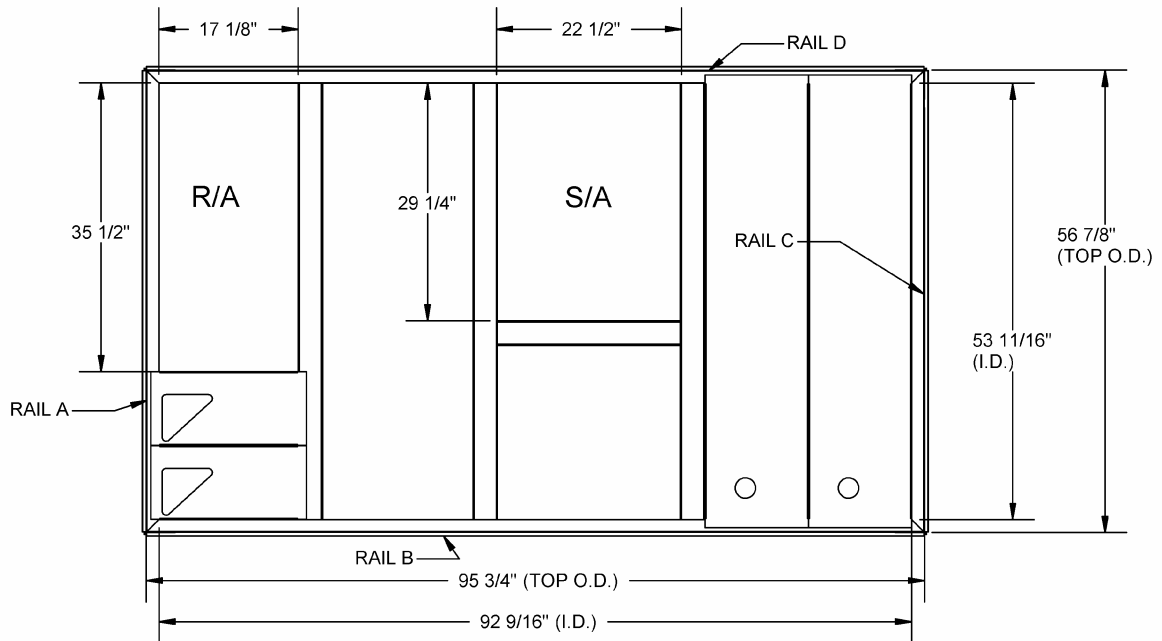
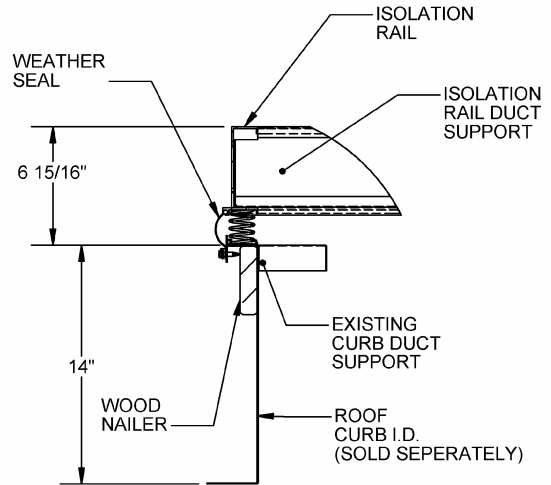


FEATURES

- MITERED TOP CORNERS
- FABRICATED OF ALUMINUM EXTRUSION
- FULL PERIMETER WEATHER SEAL
- 1" OR 2" STATIC DEFLECTION
- DUCT SUPPORTS INCLUDED
- INSTALLATION INSTRUCTIONS INCLUDED
- CANVAS DUCT CONNECTION NOT INCLUDED
- *KD- KNOCKED DOWN
- *ASD- ASSEMBLED



PART #		
	DEFLECTION	C.A.S.
ISOLATION RAIL KD	1 INCH	1005917
ISOLATION RAIL KD	2 INCH	1005918
ISOLATION RAIL ASD	1 INCH	1005919
ISOLATION RAIL ASD	2 INCH	1005920