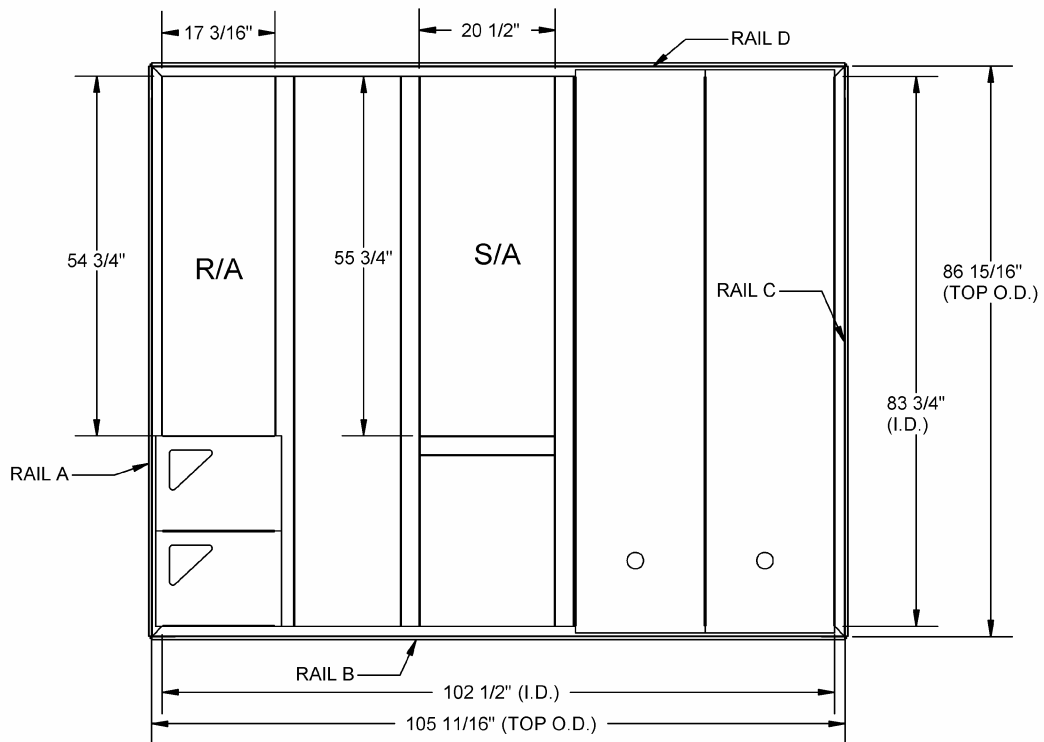
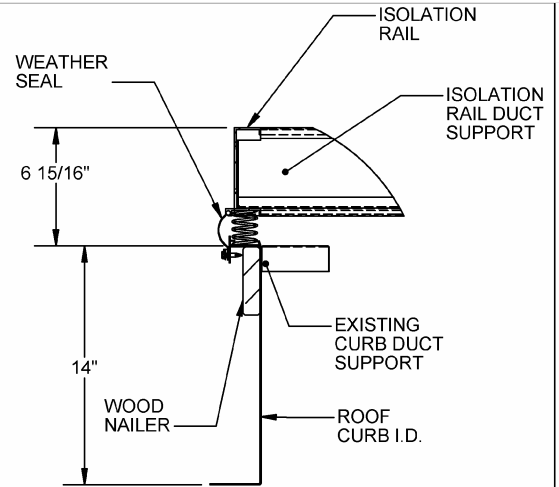


FEATURES

- ASSEMBLED TO SUPPLIED ROOF CURB
- MITERED TOP CORNERS
- FABRICATED OF ALUMINUM EXTRUSION
- FULL PERIMETER WEATHER SEAL
- 1" OR 2" STATIC DEFLECTION
- DUCT SUPPORTS INCLUDED
- INSTALLATION INSTRUCTIONS INCLUDED
- CANVAS DUCT CONNECTION NOT INCLUDED
- FULLY ASSEMBLED



PART #		
	DEFLECTION	C.A.S.
ISOLATION CURB	1 INCH	1006104
ISOLATION CURB	2 INCH	1006105