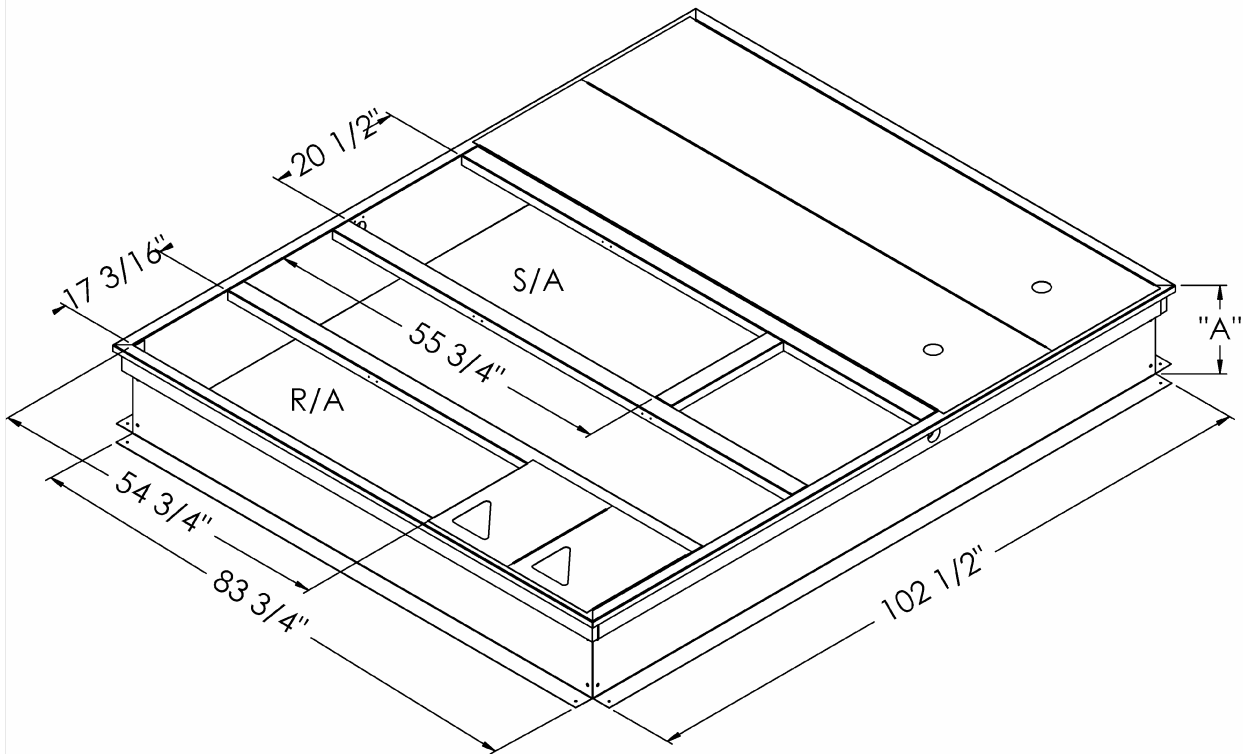
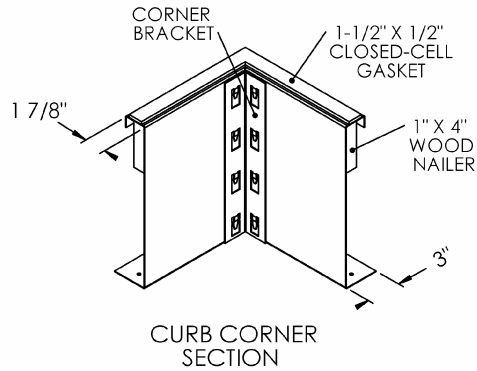


**FEATURES:**

- MITERED TOP CORNERS
- ROOF CURB BODY IS FABRICATED OF HEAVY GAUGE GALVANIZED STEEL
- FULL PERIMETER WOOD NAILER
- PRE-PUNCHED ASSEMBLY HOLES AND HARDWARE INCLUDED FOR DUCT SUPPORT INSTALLATION
- ROOF CURB IS SHIPPED UNASSEMBLED
- \*CURBS ARE INTERNALLY INSULATED WITH 1" THICK 1-1/2 POUND DENSITY DUCTLINER



PART #		CURB HEIGHT
C.A.S.	*INSULATED	"A"
1006102	1006615	14"
1006614	1006616	18"
1006103	1006617	24"