

Cambridgeport

North 800-648-2872/Fax 978-462-9189
 South 877-648-2872/Fax 901-566-0035

ROOF CURBS FOR LENNOX ROOFTOP UNITS

LGC, LCC 090S, 102S, 120S, 150S
 LGA, LCA 090H, 102H, 120H, 150H
 LHA, THA 090, 102, 120, 150
 TGA, TCA 090, 102, 120, 150

“L” Series & “T” Class B Box

FEATURES

MITERED TOP CORNERS

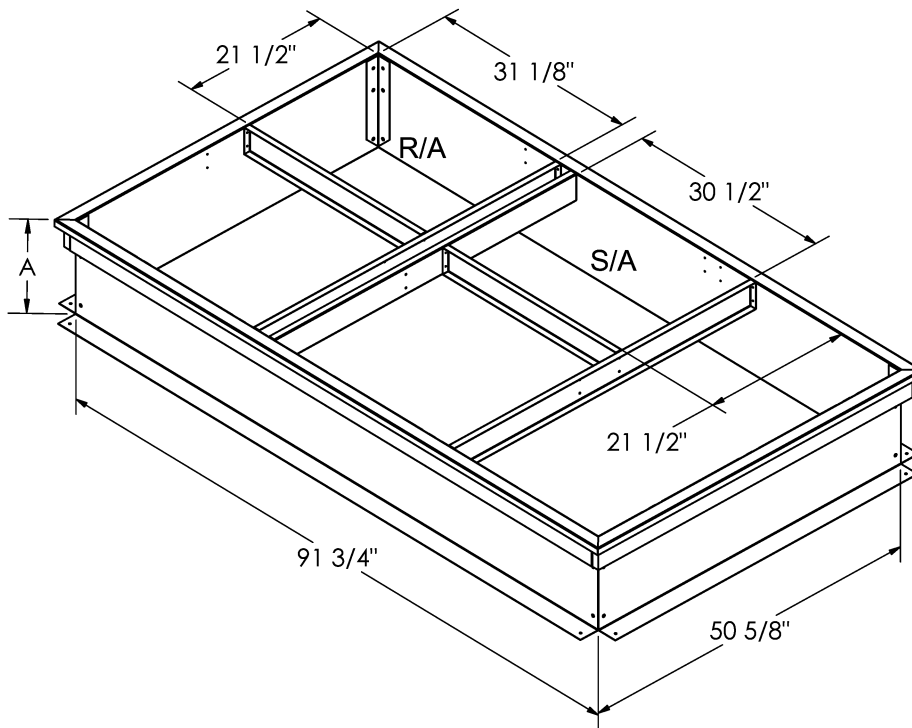
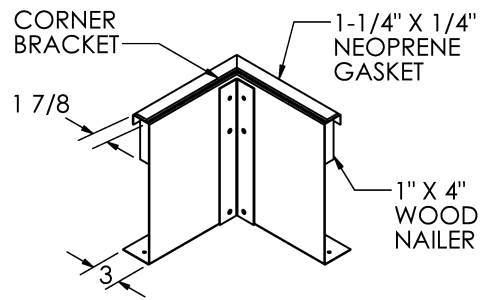
ROOF CURB BODY IS FABRICATED OF HEAVY GAUGE GALVANIZED STEEL

FULL PERIMETER WOOD NAILER

PRE-PUNCHED ASSEMBLY HOLES AND HARDWARE INCLUDED FOR DUCT SUPPORT INSTALLATION

ROOF CURB IS SHIPPED UNASSEMBLED

OPTIONAL- INTERNALLY INSULATED WITH 1" THICK 1-1/2 POUND DENSITY DUCTLINER



CURB HEIGHT	PART #	
	UNINSULATED	*INSULATED*
8"	1007728	1007732
14"	1007729	1007733
18"	1007730	1007734
24"	1007731	1007735