

Cambridgeport

North 800-648-2872/Fax 978-462-9189
 South 877-648-2872/Fax 901-566-0035

ROOF CURBS FOR LENNOX

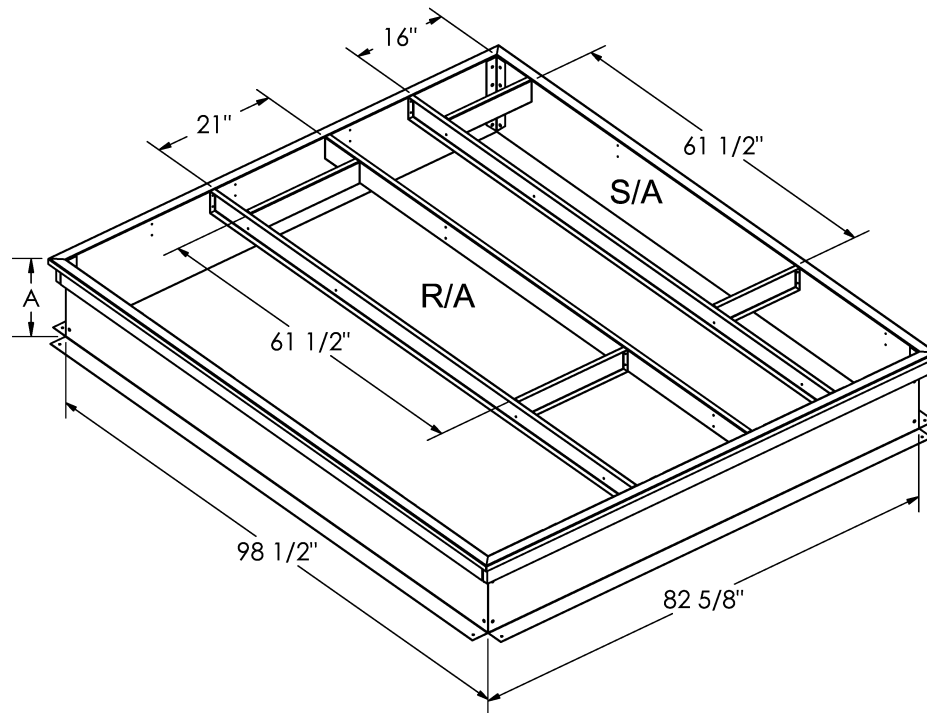
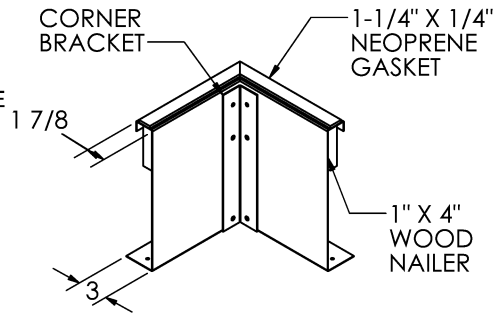
ROOFTOP UNITS

LGA, LCA 240H
 LHA 180H, 240H
 TGA, TCA 300S
 TGA, TCA 180, 210, 240
 LGC, LCC 156H, 180H, 210H
 LGC, LCC 180S, 210S, 240S, 300S

"L" Series & "T" Class C Box

FEATURES

- MITERED TOP CORNERS
- ROOF CURB BODY IS FABRICATED OF HEAVY GAUGE GALVANIZED STEEL
- FULL PERIMETER WOOD NAILER
- PRE-PUNCHED ASSEMBLY HOLES AND HARDWARE INCLUDED FOR DUCT SUPPORT INSTALLATION
- ROOF CURB IS SHIPPED UNASSEMBLED
- *OPTIONAL*- INTERNALLY INSULATED WITH 1" THICK 1-1/2 POUND DENSITY DUCTLINER



CURB HEIGHT	PART #	
	UNINSULATED	*INSULATED*
8"	1007742	1007746
14"	1007743	1007747
18"	1007744	1007748
24"	1007745	1007749