

Cambridgeport

North 800-648-2872/Fax 978-462-9189
 South 877-648-2872/Fax 901-566-0035

ROOF CURBS FOR LENNOX

ROOFTOP UNITS

LGA, LCA 248
 LGC, LCC 360
 LGC, LCC 300H

"L" Series D Box

FEATURES

MITERED TOP CORNERS

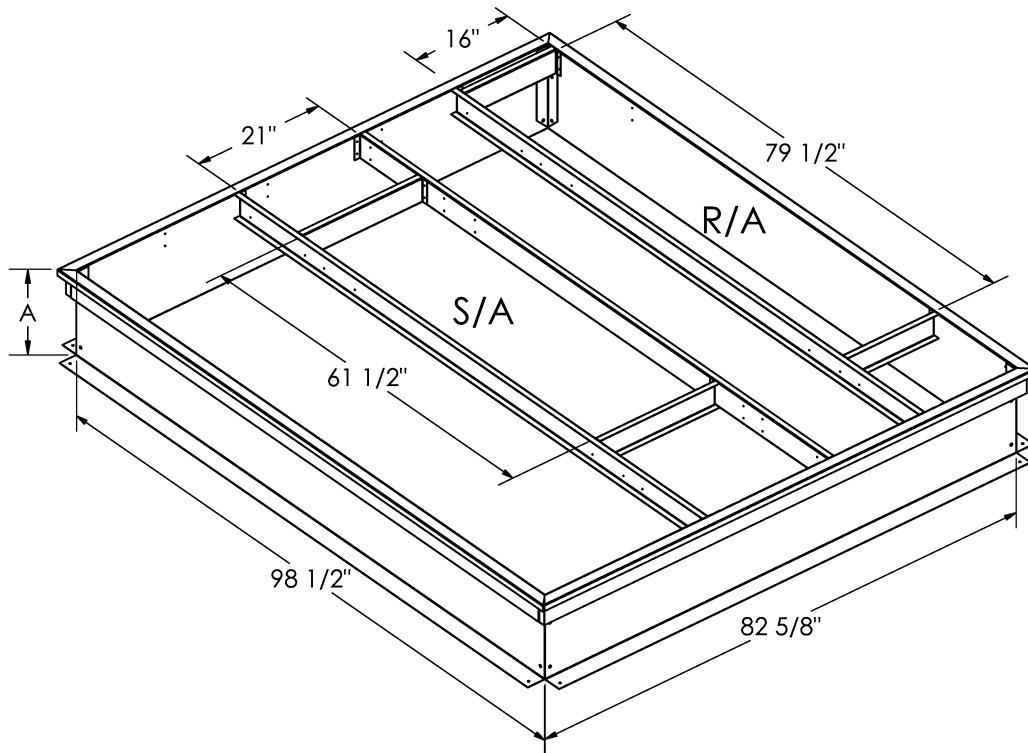
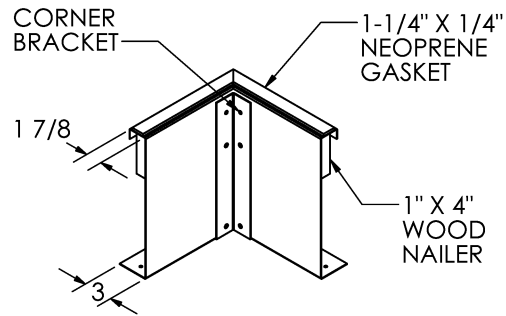
ROOF CURB BODY IS FABRICATED OF HEAVY GAUGE GALVANIZED STEEL

FULL PERIMETER WOOD NAILER

PRE-PUNCHED ASSEMBLY HOLES AND HARDWARE INCLUDED FOR DUCT SUPPORT INSTALLATION

ROOF CURB IS SHIPPED UNASSEMBLED

OPTIONAL- INTERNALLY INSULATED WITH 1" THICK 1-1/2 POUND DENSITY DUCTLINER



CURB HEIGHT	PART #	
	UNINSULATED	*INSULATED*
"A"	1007756	1007760
8"	1007757	1007761
14"	1007758	1007762
24"	1007759	1007763