

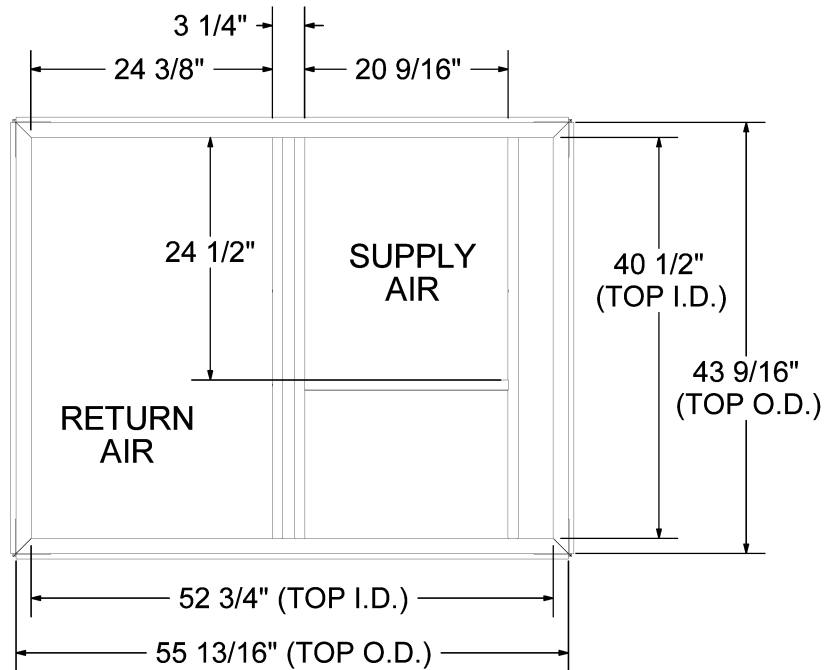
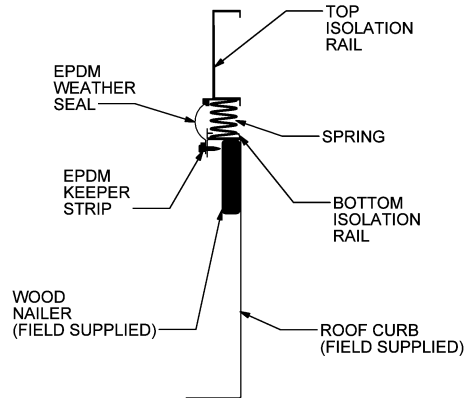
## ISOLATION RAILS FOR LENNOX

### ROOFTOP UNITS

CHP16, GCS16 024, 030, 036  
 GCS20 024, 030, 036

#### FEATURES

- ASD= ASSEMBLED
- KND=KNOCKED DOWN
- MITERED TOP CORNERS
- FABRICATED OF EXTRUDED ALUMINUM
- FULL PERIMETER WEATHER SEAL
- 1" OF 2" STATIC DEFLECTION
- DUCT SUPPORTS INCLUDED
- INSTALLATION INSTRUCTIONS INCLUDED
- CANVAS DUCT CONNECTIONS NOT INCLUDED



PART #		
DEFLECTION	LENNOX	C.A.S.
1 INCH ASD	N/A	1007778
2 INCH ASD	N/A	1007779
1 INCH KND	N/A	1007780
2 INCH KND	N/A	1007781