

**FEATURES**

BURGLAR BAR INSERTS ARE FABRICATED OF 18 GA GALVANIZED STEEL AND 1/2" STEEL ROD

ONE PIECE WELDED CONSTRUCTION

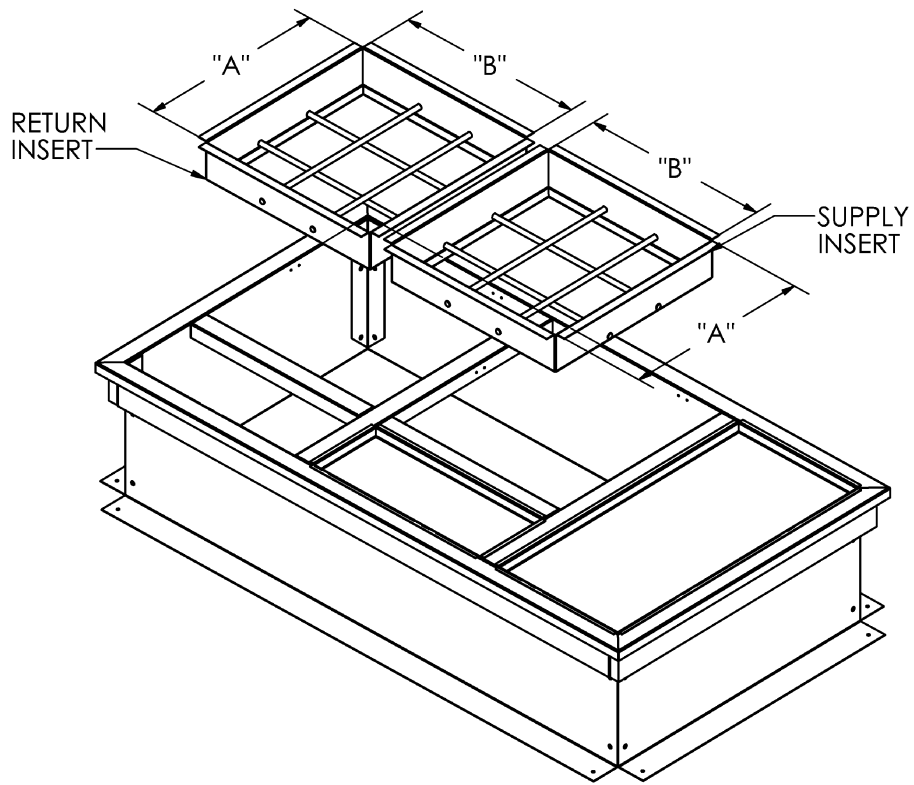
FACTORY PAINTED

DISTANCE BETWEEN STEEL RODS IS NOT GREATER THAN 6"

**OPTIONS**

5/8" STEEL ROD

OPENINGS GREATER THAN 6 INCHES



INSERT	DIMENSIONS		CAS
	"A"	"B"	PART #
SUPPLY	19 1/2"	19 1/2"	1007834
RETURN	19 1/2"	19 1/2"	