

# Cambridgeport

North 800-648-2872/Fax 978-462-9189  
 South 877-648-2872/Fax 901-566-0035

## ADJUSTABLE SLOPE ROOF CURB

### FOR LENNOX ROOFTOP UNITS

LGC, LCC 090S, 102S, 120S, 150S  
 LGA, LCA 090H, 102H, 120H, 150H  
 LHA, THA 090, 102, 120, 150  
 TGA, TCA 090, 102, 120, 150

“L” Series & “T” Class B Box

#### FEATURES:

FULLY ADJUSTABLE HEIGHT AND PITCH  
 UP TO X/X" PER FOOT LONG SIDE  
 UP TO X/X" PER FOOT SHORT SIDE

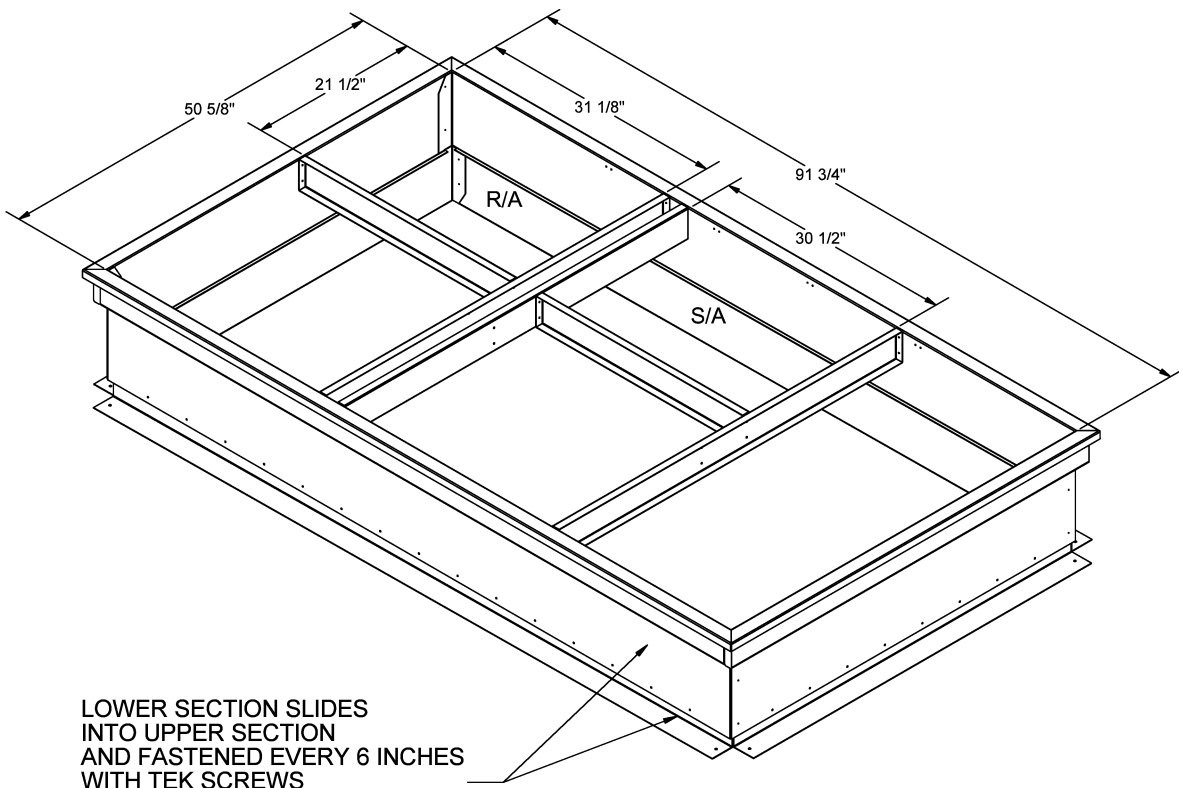
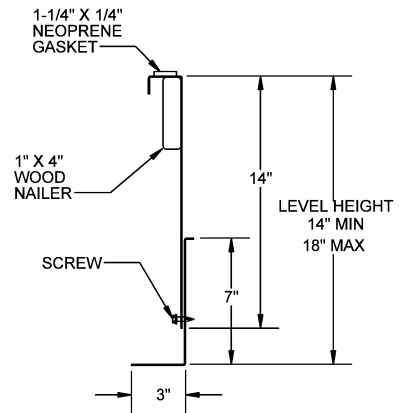
MITERED TOP CORNERS

ROOF CURB IS FABRICATED OF HEAVY  
 GAUGE GALVANIZED STEEL

FULL PERIMETER WOOD NAILER

PER-PUNCHED ASSEMBLY HOLES AND HARDWARE  
 INCLUDED FOR DUCT SUPPORT INSTALLATION

ROOF CURB IS SHIPPED KNOCKED DOWN



LOWER SECTION SLIDES  
 INTO UPPER SECTION  
 AND FASTENED EVERY 6 INCHES  
 WITH TEK SCREWS

PART #	
LENNOX	C.A.S.
N/A	1007836