

# Cambridgeport

North 800-648-2872/Fax 978-462-9189  
 South 877-648-2872/Fax 901-566-0035

## ADJUSTABLE SLOPE ROOF CURB

### FOR LENNOX ROOFTOP UNITS

LGA, LCA 240H  
 LHA 180H, 240H  
 TGA, TCA 300S  
 TGA, TCA 180, 210, 240  
 LGC, LCC 156H, 180H, 210H  
 LGC, LCC 180S, 210S, 240S, 300S

“L” Series & “T” Class C Box

#### FEATURES:

FULLY ADJUSTABLE HEIGHT AND PITCH  
 UP TO 3/4" PER FOOT LONG SIDE  
 UP TO 7/8" PER FOOT SHORT SIDE

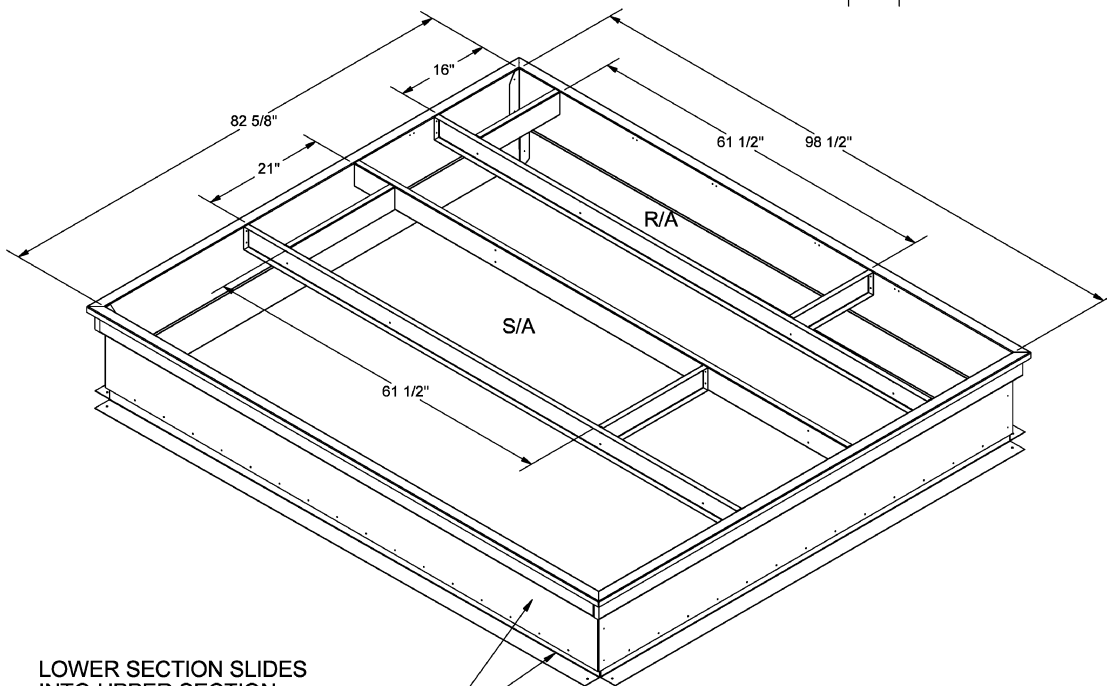
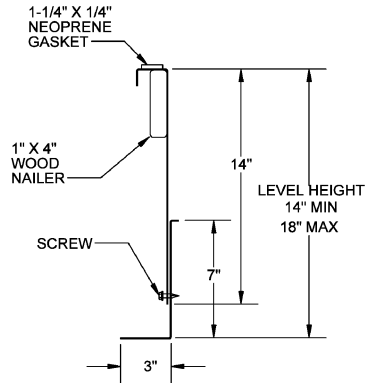
MITERED TOP CORNERS

ROOF CURB IS FABRICATED OF HEAVY  
 GAUGE GALVANIZED STEEL

FULL PERIMETER WOOD NAILER

PRE-PUNCHED ASSEMBLY HOLES AND HARDWARE  
 INCLUDED FOR DUCT SUPPORT INSTALLATION

ROOF CURB IS SHIPPED KNOCKED DOWN



LOWER SECTION SLIDES  
 INTO UPPER SECTION  
 AND FASTENED EVERY 6 INCHES  
 WITH TEK SCREWS

PART #	
LENNOX	C.A.S.
N/A	1007837