

Cambridgeport

North 800-648-2872/Fax 978-462-9189
 South 877-648-2872/Fax 901-566-0035

ADJUSTABLE SLOPE ROOF CURB

FOR LENNOX ROOFTOP UNITS

CHP16, GCS16 024, 030, 036
 GCS20 024, 030, 036

FEATURES:

FULLY ADJUSTABLE HEIGHT AND PITCH
 UP TO 1-5/16" PER FOOT LONG SIDE
 UP TO 1-3/4" PER FOOT SHORT SIDE

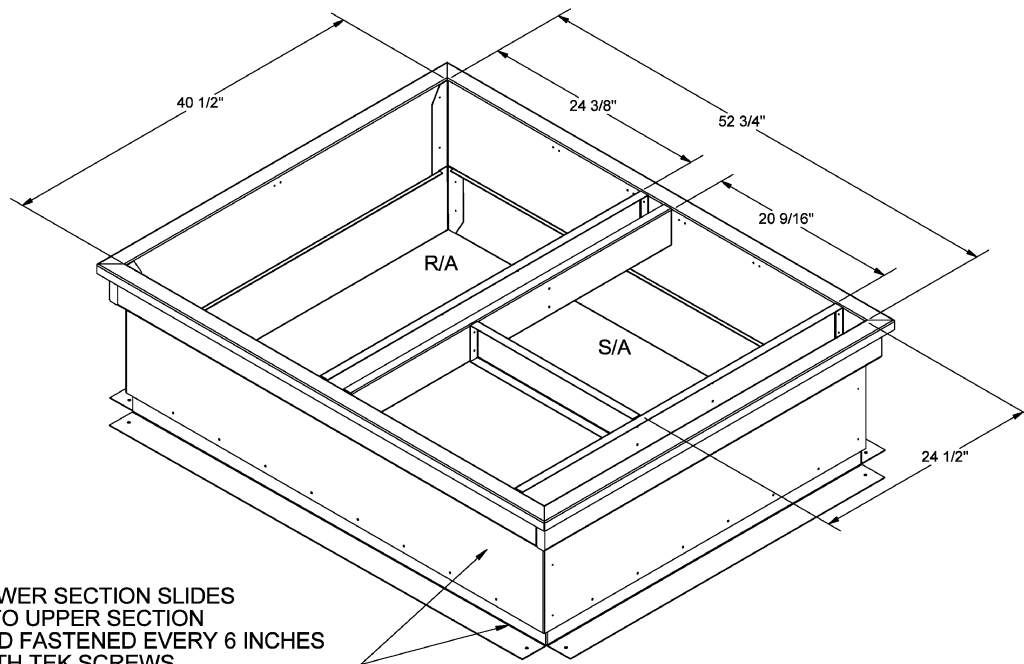
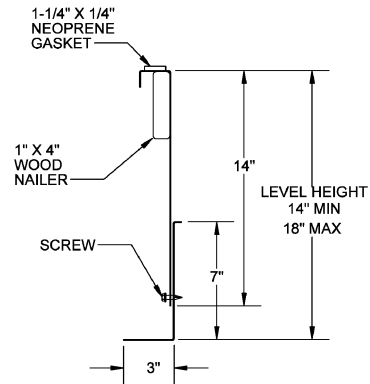
MITERED TOP CORNERS

ROOF CURB IS FABRICATED OF HEAVY
 GAUGE GALVANIZED STEEL

FULL PERIMETER WOOD NAILER

PRE-PUNCHED ASSEMBLY HOLES AND HARDWARE
 INCLUDED FOR DUCT SUPPORT INSTALLATION

ROOF CURB IS SHIPPED KNOCKED DOWN



LOWER SECTION SLIDES
 INTO UPPER SECTION
 AND FASTENED EVERY 6 INCHES
 WITH TEK SCREWS

PART #	
LENNOX	C.A.S.
N/A	1007839