

# Cambridgeport

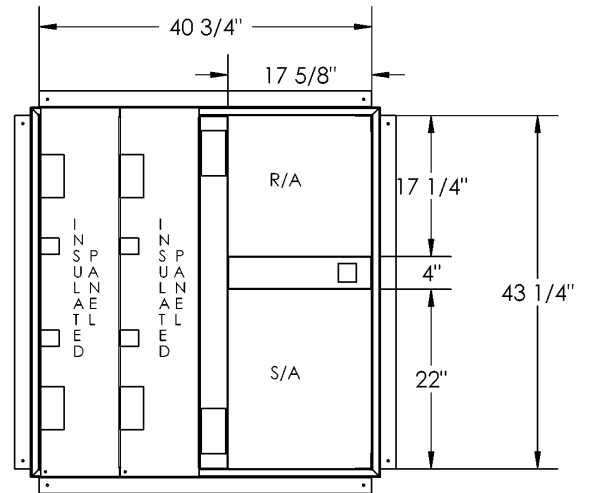
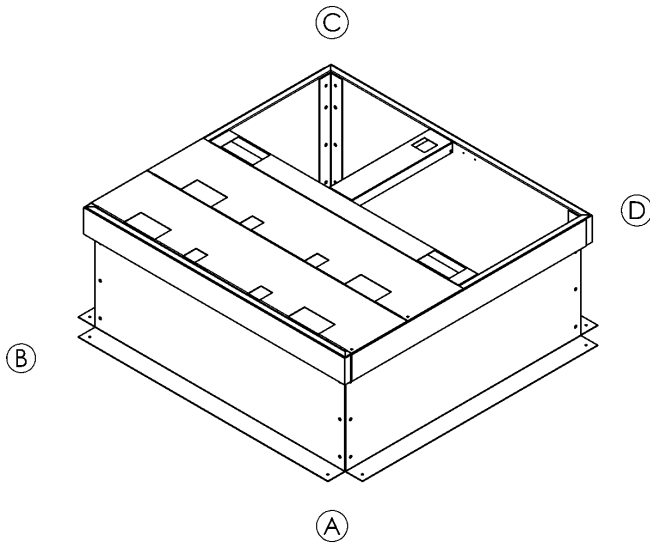
## SUBMITTAL

SUBMITTED TO \_\_\_\_\_  
 COMPANY \_\_\_\_\_  
 JOB NAME \_\_\_\_\_  
 EQUIPMENT \_\_\_\_\_  
 SIGNATURE \_\_\_\_\_  
 DATE \_\_\_\_\_

**SLOPE ROOF CURB FOR YORK  
 ROOFTOP UNITS**  
 BHA, BHH, DEB, DEH, DNA, DNH 018-060  
 BHP, BHQ, BHX, BHZ 024-060  
 DEM, DEQ, DEX, DEZ, 024-060  
 DEY 060  
 DNP, DNQ, DNX, DNY, DNZ 024-060

## PART #

**Slope Roof Curb over 1" up to 2" per Ft. 1009798**  
**Slope Roof Curb 2" up to 3" per Ft. 1009799**



HEIGHT OF CORNER A	HEIGHT OF CORNER B	HEIGHT OF CORNER C	HEIGHT OF CORNER D

## FEATURES

- MITERED TOP CORNERS
- ROOF CURB FABRICATED OF HEAVY GAUGE GALVANIZED STEEL
- FULL PERIMETER WOOD NAILER
- PRE-PUNCHED ASSEMBLY HOLES AND HARDWARE INCLUDED FOR DUCT SUPPORT INSTALLATION
- ROOF CURB IS SHIPPED UNASSEMBLED

