

Cambridgeport

SUBMITTAL

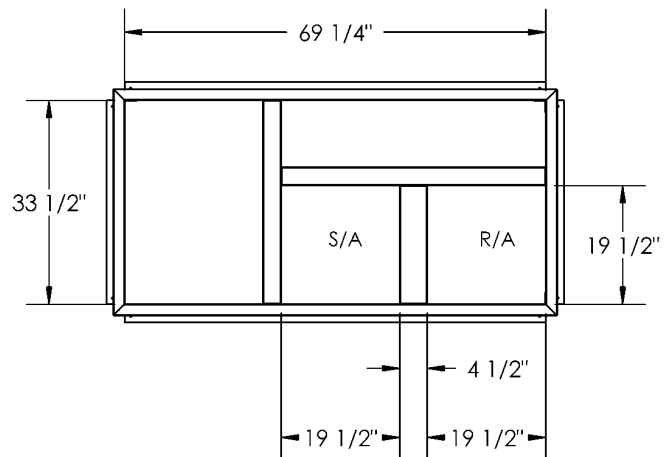
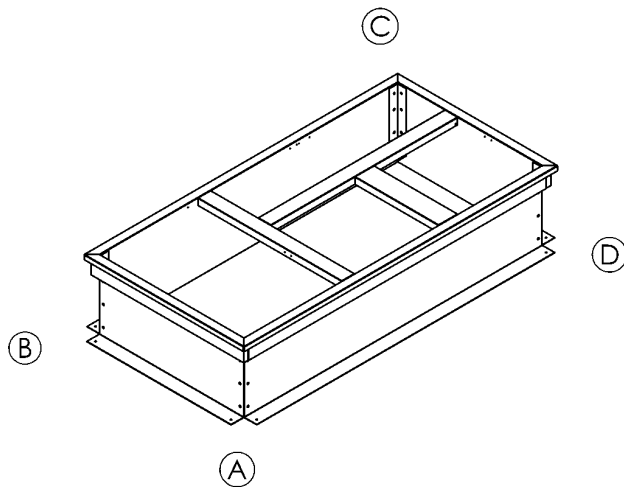
SUBMITTED TO _____
 COMPANY _____
 JOB NAME _____
 EQUIPMENT _____
 SIGNATURE _____
 DATE _____

SLOPED ROOF CURB FOR YORK ROOFTOP UNITS

BQ, DJ, DH, DM, DY, XP, ZJ, ZR, 036-060
BCH, DEE, DEG, DHE, DHG 036-060
DEG, DCE, BP, DF, DM, DR, ZF 036-072
 Note: Units with Bottom condensate Drain require 1RCO442. Call for Pricing

PART

Slope Roof Curb over 1" up to 2" per Ft. 1009801
Slope Roof Curb 2" up to 3" per Ft. 1009802



HEIGHT OF CORNER A	HEIGHT OF CORNER B	HEIGHT OF CORNER C	HEIGHT OF CORNER D

FEATURES

- FULLY ADJUSTABLE HEIGHT AND PITCH UP TO 1" PER FOOT IN ANY DIRECTION
- MITERED TOP CORNERS
- ROOF CURB FABRICATED OF HEAVY GAUGE GALVANIZED STEEL
- FULL PERIMETER WOOD NAILER
- PRE-PUNCHED ASSEMBLY HOLES AND HARDWARE INCLUDED FOR DUCT SUPPORT INSTALLATION
- ROOF CURB IS SHIPPED UNASSEMBLED

