

# Cambridgeport

## SUBMITTAL

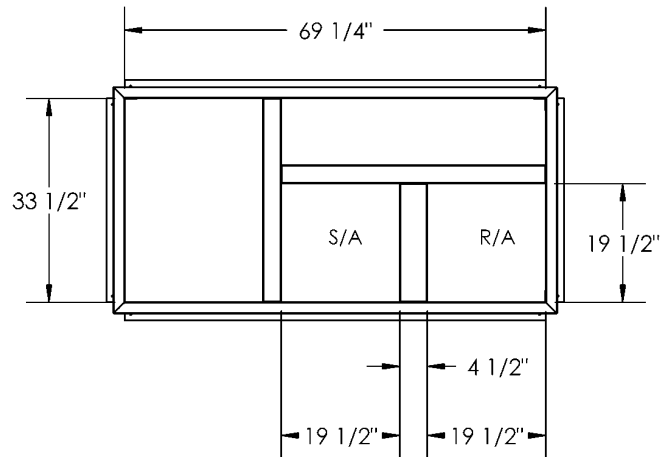
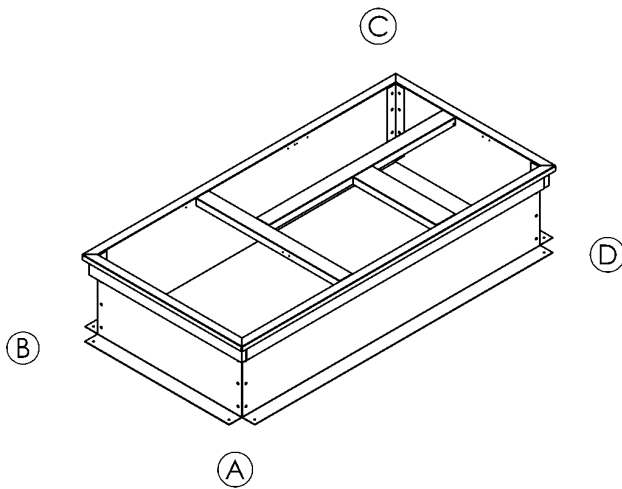
SUBMITTED TO \_\_\_\_\_  
 COMPANY \_\_\_\_\_  
 JOB NAME \_\_\_\_\_  
 EQUIPMENT \_\_\_\_\_  
 SIGNATURE \_\_\_\_\_  
 DATE \_\_\_\_\_

## SLOPED ROOF CURB FOR YORK ROOFTOP UNITS

**BQ, DJ, DH, DM, DY, XP, ZJ, ZR, 036-060**  
**BCH, DEE, DEG, DHE, DHG 036-060**  
**DEG, DCE, BP, DF, DM, DR, ZF 036-072**  
 \*\*Note: Units with Bottom condensate Drain require 1RCO442. Call for Pricing\*\*

### PART #

**Slope Roof Curb over 1" up to 2" per Ft. 1009801**  
**Slope Roof Curb 2" up to 3" per Ft. 1009802**



HEIGHT OF CORNER A	HEIGHT OF CORNER B	HEIGHT OF CORNER C	HEIGHT OF CORNER D

## FEATURES

- FULLY ADJUSTABLE HEIGHT AND PITCH UP TO 1" PER FOOT IN ANY DIRECTION
- MITERED TOP CORNERS
- ROOF CURB FABRICATED OF HEAVY GAUGE GALVANIZED STEEL
- FULL PERIMETER WOOD NAILER
- PRE-PUNCHED ASSEMBLY HOLES AND HARDWARE INCLUDED FOR DUCT SUPPORT INSTALLATION
- ROOF CURB IS SHIPPED UNASSEMBLED

