

# Cambridgeport

## SUBMITTAL

SUBMITTED TO \_\_\_\_\_  
 COMPANY \_\_\_\_\_  
 JOB NAME \_\_\_\_\_  
 EQUIPMENT \_\_\_\_\_  
 SIGNATURE \_\_\_\_\_  
 DATE \_\_\_\_\_

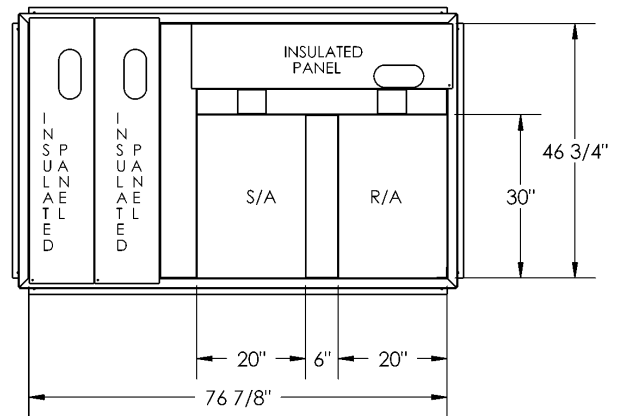
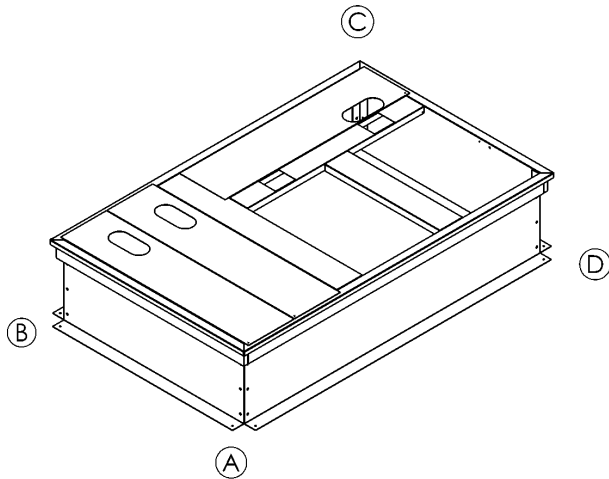
## SLOPE ROOF CURB FOR YORK ROOFTOP UNITS

BP, DH, DM, 078-150  
 XP, ZF, ZH, ZJ, ZR, 078-150  
 ZH, ZJ, ZR 037 & 049 & 061  
 DF 078-120

DR 090-150  
 DJ150

PART #

Slope Roof Curb over 1" up to 2" per Ft. 1009804  
 Slope Roof Curb 2" up to 3" per Ft. 1009805



HEIGHT OF CORNER A	HEIGHT OF CORNER B	HEIGHT OF CORNER C	HEIGHT OF CORNER D

## FEATURES

- FULLY ADJUSTABLE HEIGHT AND PITCH UP TO 1" PER FOOT IN ANY DIRECTION
- MITERED TOP CORNERS
- ROOF CURB FABRICATED OF HEAVY GAUGE GALVANIZED STEEL
- FULL PERIMETER WOOD NAILER
- PRE-PUNCHED ASSEMBLY HOLES AND HARDWARE INCLUDED FOR DUCT SUPPORT INSTALLATION
- ROOF CURB IS SHIPPED UNASSEMBLED

