

Cambridgeport

SUBMITTAL

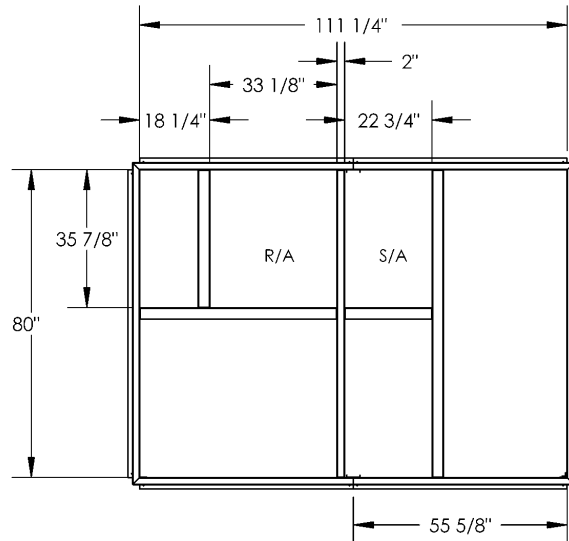
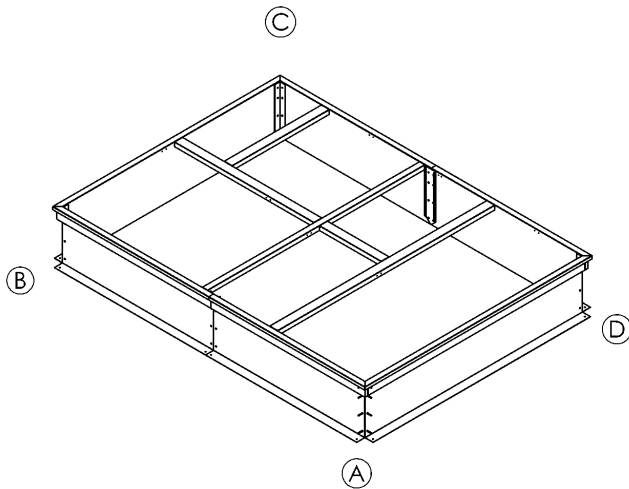
SUBMITTED TO _____
 COMPANY _____
 JOB NAME _____
 EQUIPMENT _____
 SIGNATURE _____
 DATE _____

SLOPE ROOF CURB FOR YORK ROOFTOP UNITS

BCH, DEE, DEG, DCE, DCG 180
 DM, DH, BP, ZF 180

PART

Slope Roof Curb over 1" up to 2" per Ft. 1009807
 Slope Roof Curb 2" up to 3" per Ft. 1009808



HEIGHT OF CORNER A	HEIGHT OF CORNER B	HEIGHT OF CORNER C	HEIGHT OF CORNER D

FEATURES

- FULLY ADJUSTABLE HEIGHT AND PITCH UP TO 1" PER FOOT IN ANY DIRECTION
- MITERED TOP CORNERS
- ROOF CURB FABRICATED OF HEAVY GAUGE GALVANIZED STEEL
- FULL PERIMETER WOOD NAILER
- PRE-PUNCHED ASSEMBLY HOLES AND HARDWARE INCLUDED FOR DUCT SUPPORT INSTALLATION
- ROOF CURB IS SHIPPED UNASSEMBLED

