

Cambridgeport

SUBMITTAL

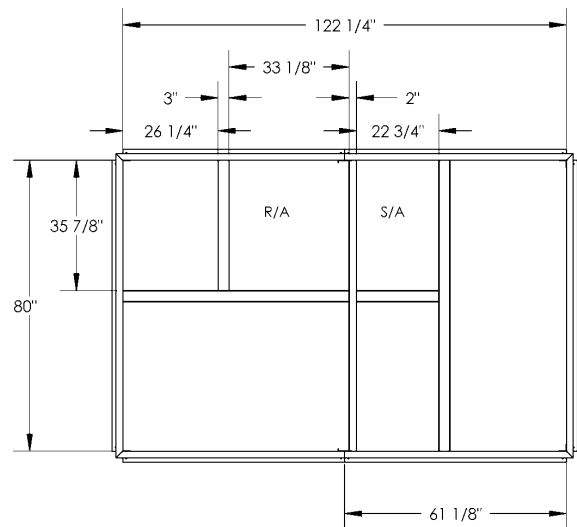
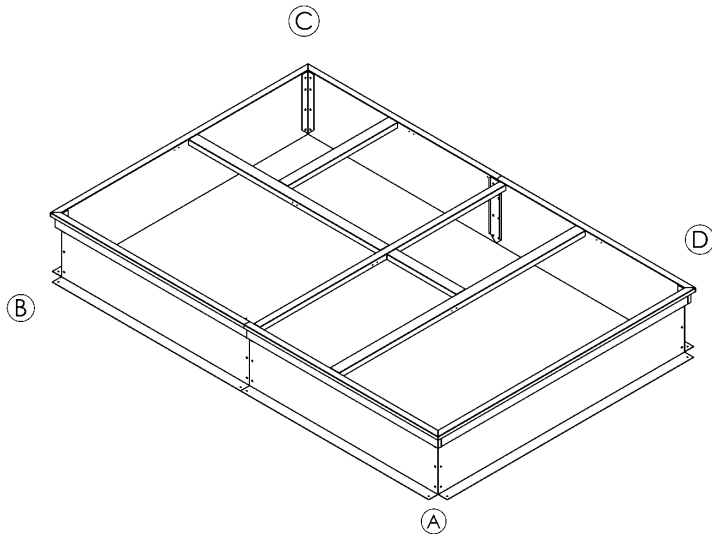
SUBMITTED TO _____
 COMPANY _____
 JOB NAME _____
 EQUIPMENT _____
 SIGNATURE _____
 DATE _____

**SLOPE ROOF CURB FOR
 YORK ROOFTOP UNITS**
 DM, DCE, DCG, DCV 240-300
 BP, BQ, BCH, DEG, DEE 240
 DJ, DR, WJ, WR, ZJ, ZR 180-300
 DH, DM, ZF 210 300
 XP 180-240

PART #

Slope Roof Curb over 1" up to 2" per Ft. 1009810

Slope Roof Curb 2" up to 3" per Ft. 1009811



| HEIGHT OF CORNER A | HEIGHT OF CORNER B | HEIGHT OF CORNER C | HEIGHT OF CORNER D |
|-----------------------|-----------------------|-----------------------|-----------------------|
| | | | |

FEATURES

- FULLY ADJUSTABLE HEIGHT AND PITCH UP TO 1" PER FOOT IN ANY DIRECTION
- MITERED TOP CORNERS
- ROOF CURB FABRICATED OF HEAVY GAUGE GALVANIZED STEEL
- FULL PERIMETER WOOD NAILER
- PRE-PUNCHED ASSEMBLY HOLES AND HARDWARE INCLUDED FOR DUCT SUPPORT INSTALLATION
- ROOF CURB IS SHIPPED UNASSEMBLED

