

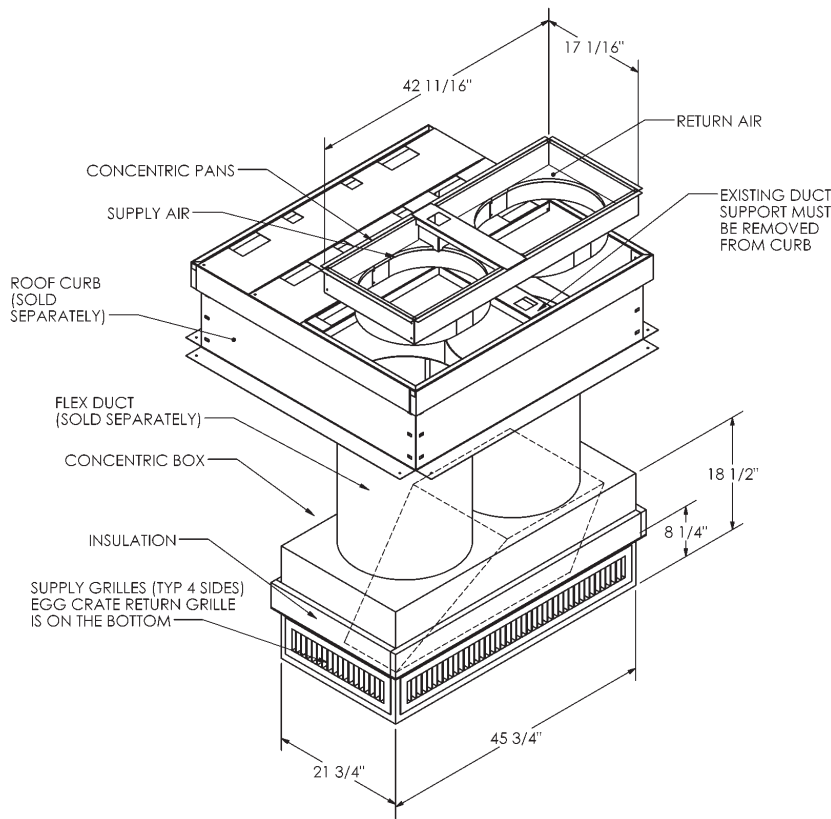
# Cambridgeport

## SUBMITTAL

SUBMITTED TO \_\_\_\_\_  
 COMPANY \_\_\_\_\_  
 JOB NAME \_\_\_\_\_  
 EQUIPMENT \_\_\_\_\_  
 SIGNATURE \_\_\_\_\_  
 DATE \_\_\_\_\_

**CONCENTRIC KITS DROP BOX  
 FLEX FOR YORK ROOFTOP UNITS**  
 BHA, BHH, DEB, DEH, DNA, DNH 042-060  
 BHP, BHX, BHZ, DNP 048  
 DEZ, DNY, DNX, DNZ 042-060  
 DEM 042-048

Description	York Units	Part #
Drop Box 18" flex	042-060	1009817



## FEATURES

- CONCENTRIC INSERT PANS ARE INSULATED INTERNALLY AND SHIPPED ASSEMBLED
- CONCENTRIC BOX FABRICATED OF HEAVY GALVANIZED STEEL AND INTERNALLY INSULATED
- DOUBLE DEFLECTION GRILLE PAINTED OFF-WHITE
- CONCENTRIC BOX AND DIFFUSER ARE SHIPPED ASSEMBLED

Nominal CFM	Throw in Ft.	
	Min	Max
2,000	20	30